

For Air

# Rotary Plug

For pneumatic tools and devices

Working pressure



1.5 MPa  
(15 kgf/cm<sup>2</sup>)

Valveless

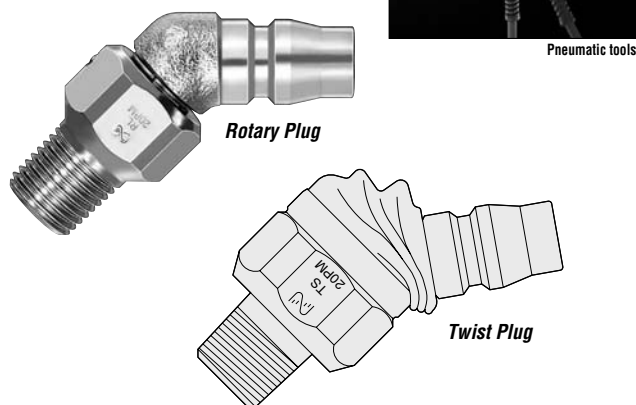
Applicable fluid



Air

Inert gas

## Comparison by appearance



## Newly developed rotary function allows 360° swivelling! Big improvement for handling of pneumatic tools!

- Rotary neck plug for hose connection to pneumatic tools and pneumatic devices.
- Fits at 45° angle to the tool eliminating annoying offset load caused by connected hose.
- Ideal compact design enables optimum workability by simple body structure. Now far lighter and smaller than conventional models.
- New dust-proof design for increased durability.
- For air tackers, nailers, impact wrenches and other pneumatic tools.

## Specifications

Body material	Steel (Nickel-plated)			
Size	1/4" • 3/8"			
Working pressure MPa (kgf/cm <sup>2</sup> )	1.5 (15) / 1.0 (10) (only RL-02PM • PFF type)			
Pressure resistance MPa (kgf/cm <sup>2</sup> )	2.0 (20) / 1.5 (15) (only RL-02PM • PFF type)			
Seal material	Nitrile rubber	Mark	NBR (SG)	Working temperature range
Working temperature range	-5°C~+60°C Standard material			

## Max. Tightening Torque

	N-m (kgf·cm)	
Size	R 1/4	R 3/8
Torque	15 (153)	25 (255)

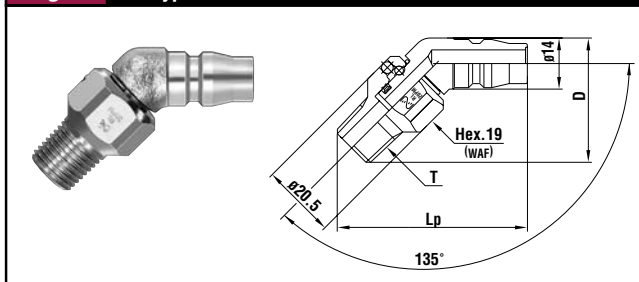
## Interchangeability

- Model RL-20PM • RL-30PM • RL-20PFF: Can be connected with sockets of Hi Cupla Models 20, 30 and 40 and interchangeable with each corresponding Hi Cupla Series models.
- Model RL-02PM • RL-02PFF: Can be connected with sockets of Super Cupla.

## Models and Dimensions

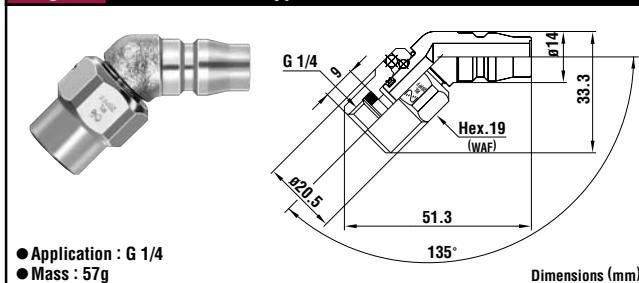
WAF : WAF stands for width across flats.

### Plug PM type (Male thread)



Model	Application	Mass (g)	Dimensions (mm)		
			Lp	D	T
RL-20PM	Rc 1/4	52	52.1	34.1	R 1/4
RL-30PM	Rc 3/8	73	50.8	32.8	R 3/8

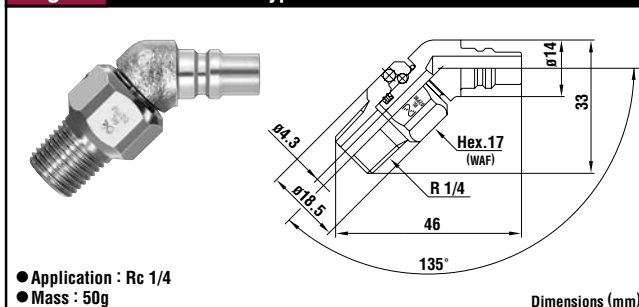
### Plug Model RL-20PFF type (Female thread)



- Application : G 1/4
- Mass : 57g

Dimensions (mm)

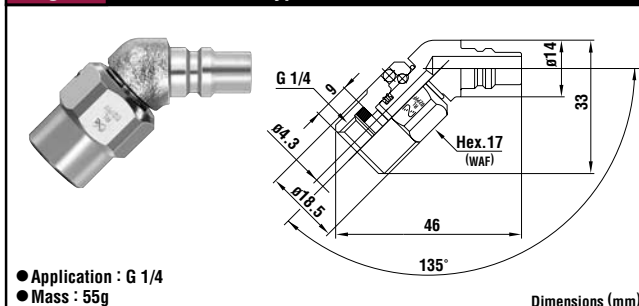
### Plug Model RL-02PM type (Male thread)



- Application : Rc 1/4
- Mass : 50g

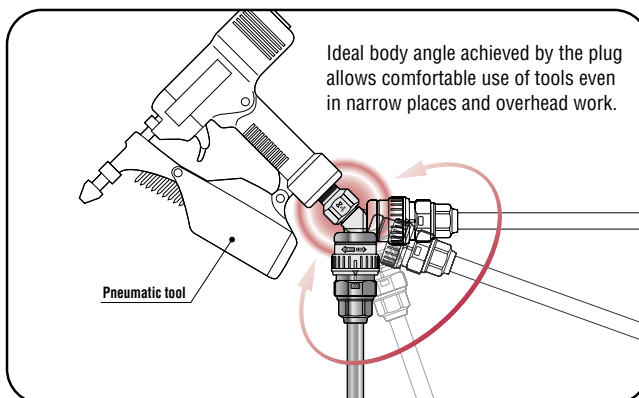
Dimensions (mm)

### Plug Model RL-02PFF type (Female thread)



- Application : G 1/4
- Mass : 55g

Dimensions (mm)



Before use, please be sure to read "Safety Guide" described at the end of this book and "Instruction Sheet" that comes with the products.