

Charge Cupla CS Type

Frequent detaching under pressure made easy by our unique lever!!

Perfect for filling refrigerant, pulling vacuums and discharging residual pressure.

- Equipped with an automatic shut-off valve. Fluid in the hose is prevented from flowing out when separated.
- Detaching of the socket and plug is possible even there is residual pressure. The valve can be opened and closed using the lever on the back side.
- Safe design prevents the valve from opening if the plug is not connected, even if the lever is operated.
- The lever can be set to any position over 360°.
- The standard product SP-V type Cuplas 2P-V and 3P-V can be used as plugs.
- (The CS type can also be used with the SP-V-GN type Cuplas 2P-V-GN and 3P-V-GN.)
- Blue rubber HNBR is employed for easy identification and surefire maintenance.
- Employs a double-packing O-ring sealing structure in the socket to handle high air-tightness when connected.



Blue colored anodic oxide coating

Specifications

Body Material	Stainless Steel (Part Aluminum and Brass)		
Size	1/4", 3/8"		
Maximum Working Pressure MPa (kgf/cm ²)	3.0 {31}		
Pressure Resistance MPa (kgf/cm ²)	3.6 {37}		
Packing Material Working Temperature Range	Packing Material	Nitto Symbol	Working Temp. Range
	Chloroprene rubber (CR)	C308	-20°C ~ +80°C
	Hydrogen added nitrile butadiene rubber (HNBR)	H708	-20°C ~ +120°C

Minimum Sectional Area (mm²)

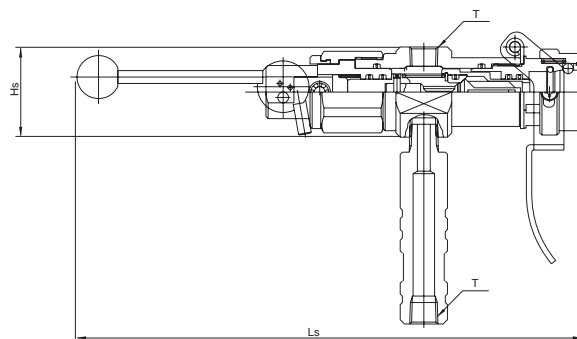
Product Code	CS-2S-V × 2P-V	CS-3S-V × 3P-V
Minimum Sectional Area	17	44

Combined Overall Length (mm)

Product Code	CS-2S-V × 2P-V	CS-3S-V × 3P-V
Combined Overall Length	245.5	250.5

Product Codes and Dimensions Tables

Socket

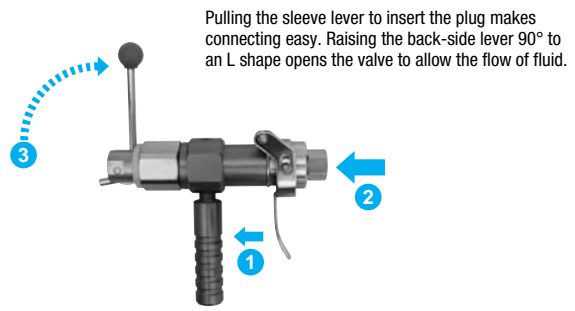


Product Code	Connecting Side	Dimensions (mm)		
		Ls	øHs	T
CS-2S-V	For Connecting with Plugs (2P-V)	232.5	42	Rc1/4 (PT1/4)
CS-3S-V	For Connecting with Plugs (3P-V)	235.5	42	Rc1/4 (PT1/4)

Note: No lubricant for socket's O-rings with H.NBR seal. Apply refrigerator oil before use.

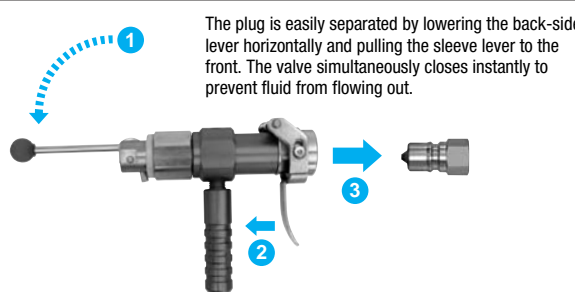
Structure

Connection with Plugs



Pulling the sleeve lever to insert the plug makes connecting easy. Raising the back-side lever 90° to an L shape opens the valve to allow the flow of fluid.

Separation from Plugs



The plug is easily separated by lowering the back-side lever horizontally and pulling the sleeve lever to the front. The valve simultaneously closes instantly to prevent fluid from flowing out.