

Charge Cupla CNR Type

Frequent detaching under pressure made easy by our unique lever!

Easy plug separation because residual pressure is purged by lifting lever.

Perfect for filling refrigerant, pulling vacuums and detaching under residual pressure.

- Equipped with an automatic shut-off valve. Fluid in the hose is prevented from flowing out when separated.
- Detaching of the socket and plug is possible even there is residual pressure. The valve can be opened and closed using the lever.
- Employs a double-packing sealing structure to handle high airtightness when connected.
- This safe design prevents the valve from opening if the plug is not connected, even if the lever is operated.
- Easy plug separation because residual pressure is purged by lifting lever after refilling is completed.
- The standard product SP-V type Cuplas 3P-V and 4P-V can be used as plugs.
(The CNR-GN type that can also be used with SP-V-GN type Cuplas 2P-V-GN and 3P-V-GN.)
- Blue rubber HNBR is employed for easy identification and surefire maintenance.



Specifications

Body Material	Stainless Steel (Part Aluminum and Brass)		
Size	3/8", 1/2"		
Maximum Working Pressure MPa {kgf/cm ² }	4.5 {45}		
Pressure Resistance MPa {kgf/cm ² }	5.0 {50}		
Packing Material Working Temperature Range	Packing Material	Nitto Symbol	Working Temp. Range
	Chloroprene rubber (CR)	C308	-20°C ~ +80°C
	Hydrogen added nitrile butadiene rubber (HNBR)	H708	-20°C ~ +120°C

Minimum Sectional Area (mm²)

Product Code	CNR-3SP type	CNR-4SP type
Minimum Sectional Area	44	62

Combined Overall Length (mm)

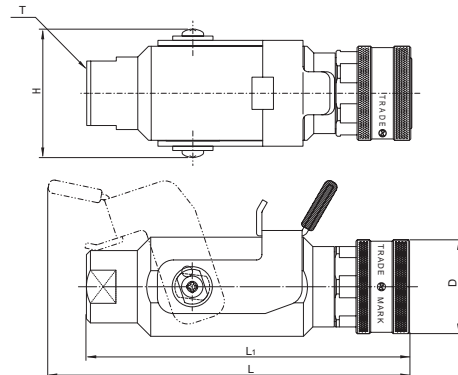
Product Code	CNR-3SP type	CNR-4SP type
Combined Overall Length	136	161

Product Codes and Dimensions Tables

Socket



Product Code	Connecting Side	Dimensions (mm)				
		L	øD	L1	H	T
CNR-3S	For Connecting with Plugs (3P-V)	135	35	121	48	Rc3/8 (PT3/8)
CNR-4S	For Connecting with Plugs (4P-V)	161	45	145	54	Rc1/2 (PT1/2)



Note: No lubricant for socket's O-rings with H.NBR seal. Apply refrigerator oil before use.

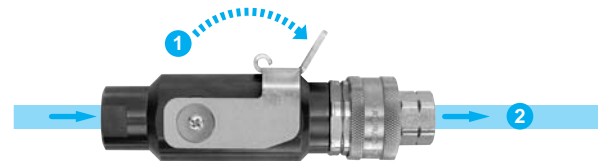
Structure

Connection of Plug and Socket

Pulling the sleeve to insert the plug makes connecting easy.



Lowering the lever opens the fluid path to allow the flow of fluid.



Detaching of Plug and Socket

Pressure between the valves on the socket on plug is purged by lifting the lever. The plug is easily removed by pulling the sleeve front to back. The valve simultaneously closes instantly to prevent fluid from flowing out.

