

Automatic Cupla ACV Type

Automatic separation from the plug!!

Contributes to energy and manpower conservation on the production line.

Connection possible simply by inserting the plug.

- The detaching mechanism is built-in to the socket. Separation of socket and plug is automatic using air drive. Also, in emergencies, manual separation is also possible. Equipped with an automatic shut-off valve. Fluid in the hose is prevented from flowing out when separated.
- The standard product SP-V Cuplas 2P-V and 3P-V can be used as plugs. (The ACV type that can also be used with the SP-V-GN type Cuplas 2P-V-GN and 3P-V-GN.)
- Blue rubber HNBR is employed for easy identification and surefire maintenance.

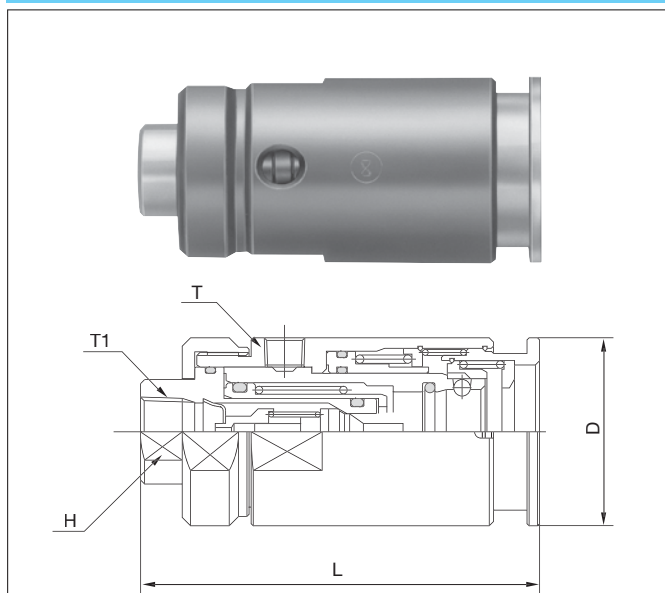


Specifications

Body Material	Stainless Steel (Part Aluminum and Brass)		
Size	1/4", 3/8"		
Maximum Working Pressure MPa {kgf/cm ² }	3.0 {31}		
Pressure Resistance MPa {kgf/cm ² }	3.6 {37}		
Packing Material Working Temperature Range	Packing Material	Nitto Symbol	Working Temp. Range
	Chloroprene rubber (CR)	C308	-20°C ~ +80°C
	Hydrogen added nitrile butadiene rubber (HNBR)	H708	-20°C ~ +120°C
	Nitrile butadiene rubber (NBR)	SG	-20°C ~ +80°C
Maximum Cupla Inner Pressure When Operating MPa {kgf/cm ² }	When Separating Plug	1.0 {10}	

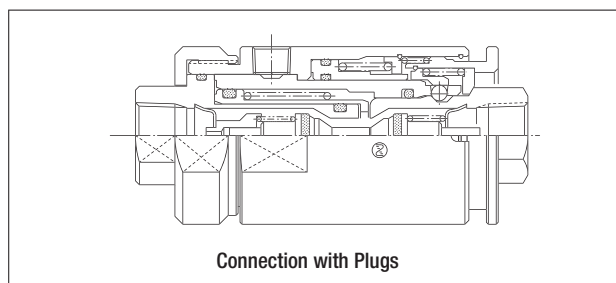
Product Codes and Dimensions Tables

Socket



Product Code	Connecting Side	Dimensions (mm)				
		H	øD	L	T	T1
ACV-2S	For Connecting with Plugs (2P-V)	2-face 19	42	100	Rc1/8 (PT1/8)	Rc1/4 (PT1/4)
ACV-3S	For Connecting with Plugs (3P-V)	2-face 21	45	96	Rc1/8 (PT1/8)	Rc3/8 (PT3/8)

Note: No lubricant for socket's O-rings with H.NBR seal. Apply refrigerator oil before use.



Structure

Connection with Plugs

One-touch connection possible simply by inserting the plug.



The valves on the socket and plug open simultaneously when connected to allow the flow of fluid.



Operating Plug Separation

The plug automatically separates by applying compressed air of 0.5MPa - 0.6MPa {5kgf/cm² to 6kgf/cm²} pressure to section A.



Detaching the Plug in Emergencies

The plug is easily detached by pulling the front side sleeve in the direction of the arrow.

