

8 Exploded View/Parts List

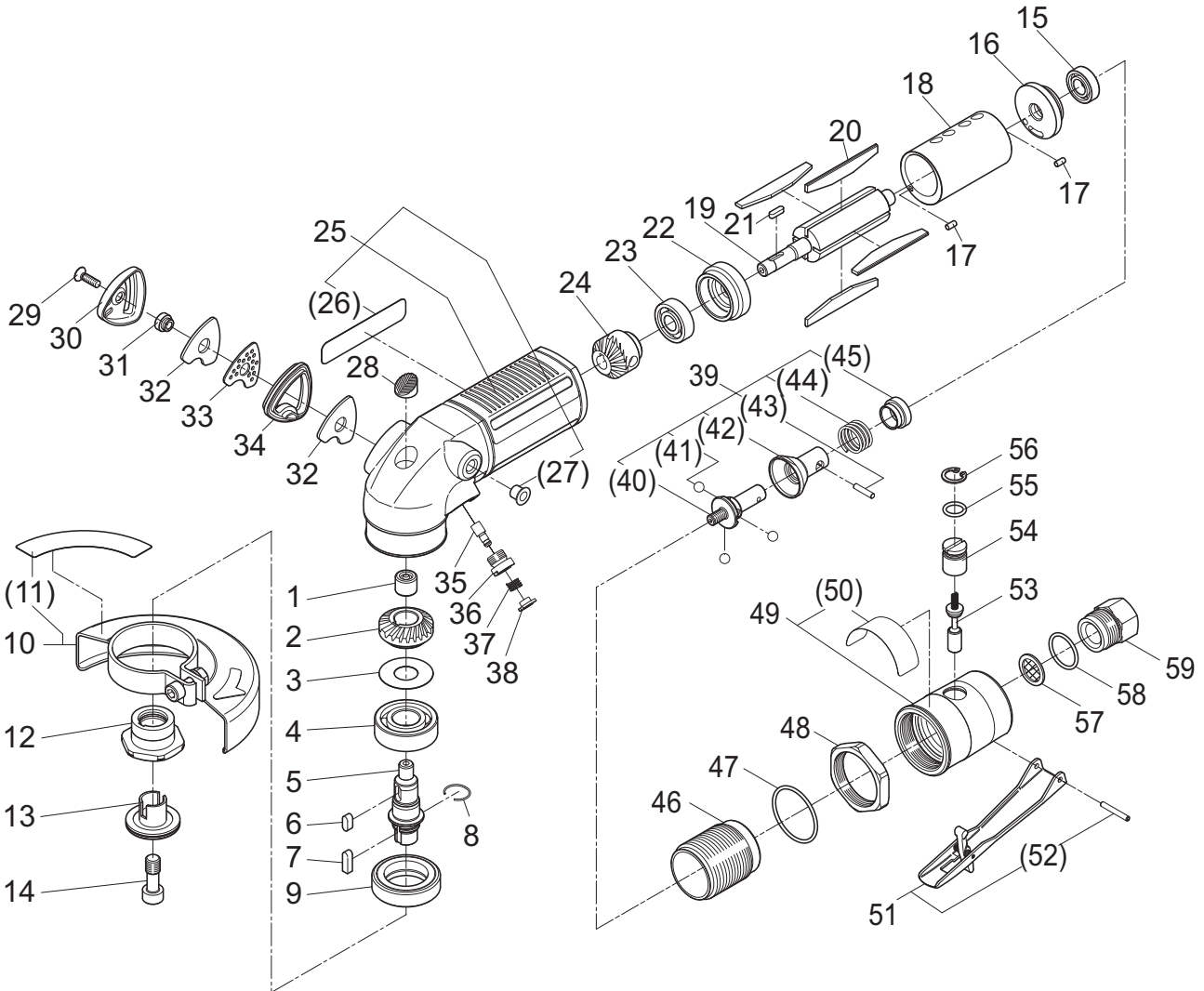
MYG-40 Exploded View/Parts List

⚠ CAUTION

- Users should never perform disassembly of the tool.

This illustration is for reference only.

For repair or replacement of the tool, request service from the retailer where you purchased the tool or the nearest NITTO service member store.



*1 indicates a consumable item, *2 indicates a commercial item. Parts inside () are components of the above assembly.

No.	Part no.	Part name	Quantity
*1 *2	1	TQ00893 Needle Bearing BK0810	1
*1	2	TQ12725 Gear	1
	3	TQ12887 Plate 13.1×30×0.2	1
*1 *2	4	TP01609 Ball Bearing 6202ZZ	1
	5	TQ14922 Spindle	1
	6	TP00502 Parallel key Both Ends Round 4×4×9.5	1
	7	TQ14906 Grooved Parallel key 4×4×13.3 One End Round	1
	8	TQ14977 Stop Ring I-0.8×15.4×7.0	1
	9	TB08883 Bearing Set Screw Ass'y	1 set
	10	TB10335 Wheel Guard Ass'y	1 set
	(11)	(TQ15217) Label Warning for Wheel Guard	1

No.	Part no.	Part name	Quantity	
	12	TQ14885	Driving Flange	1
	13	TQ15218	Outer Flange	1
	14	TP09932	Outer Flange Bolt	1
*1 *2	15	TQ12782	Ball Bearing 699ZZ	1
	16	TQ13029	End Plate A	1
	17	TP04061	Spring Pin 3×6 AW	2
	18	TQ13033	Cylinder	1
	19	TQ13032	Rotor	1
	20	TB08707	Blade Ass'y (4 pcs.)	1 set
	21	TP10130	Parallel key Both Ends Round 3×3×10	1
	22	TQ13030	End Plate B	1
*1 *2	23	TP10133	Ball Bearing 609ZZ	1
*1	24	TQ12726	Pinion	1
	25	TB10392	Housing Sub Ass'y	1 set
	(26)	(TQ15216)	Label Warning	1
	(27)	(TQ13074)	Cap 7.2	1
	28	TQ14979	Plug 40	1
	29	TQ14946	+ Countersunk Head Screw 4×14	1
	30	TQ14878	Exhaust Cover	1
	31	TQ15140	Spacer	1
*1	32	TQ15139	Exhaust Filter 40	2
	33	TQ15138	Exhaust Plate 40	1
	34	TQ15137	Packing Cover	1
	35	TQ14863	Lock Pin	1
	36	TQ14865	Pin Guide	1
	37	TQ14864	Spring 0.6×6.9×8	1
	38	TQ14866	Lock Button	1
	39	TB08676	Governor Ass'y	1 set
	(40)	(TQ12813)	Base	1
	(41)	(CP03282)	Steel Ball 7/32	3
	(42)	(TQ12067)	Sleeve	1
	(43)	(TQ12090)	Needle Roller 2.5×13.8	1
	(44)	(TQ13035)	Spring 1.4×15.5×16.3	1
	(45)	(TQ12068)	Stopper	1
	46	TQ12777	Adapter	1
	47	TQ12780	O-ring JASO-1033	1
	48	TQ12778	Lock Ring	1
	49	TB10390	Valve Body Ass'y	1 set
	(50)	(TQ15271)	Label Specification	1
	51	TB08669	Lever Ass'y	1 set
	(52)	(TP13893)	Spring Pin 3×22 AW	1
	53	TB05591	Throttle Valve Ass'y	1 set
	54	TP04394	Adjust Valve	1
	55	TP11992	O-ring KS-9	1
	56	TP03473	Internal Retaining Ring C-14	1
	57	TP01658	Filter	1
	58	CP25821	O-ring JASO-1020	1
	59	TQ12671	Bushing M23×Rc 3/8	1

Accessories

No.	Part no.	Part name	Quantity
	TP04004	Hex. Socket Screw Key 5	1
	TP00170	Hex. Socket Screw Key 6	1
	TQ02350	Bushing R 3/8×NPT 3/8	1
	TQ15274	Instruction Manual	1