

## 9 Exploded View/Parts List

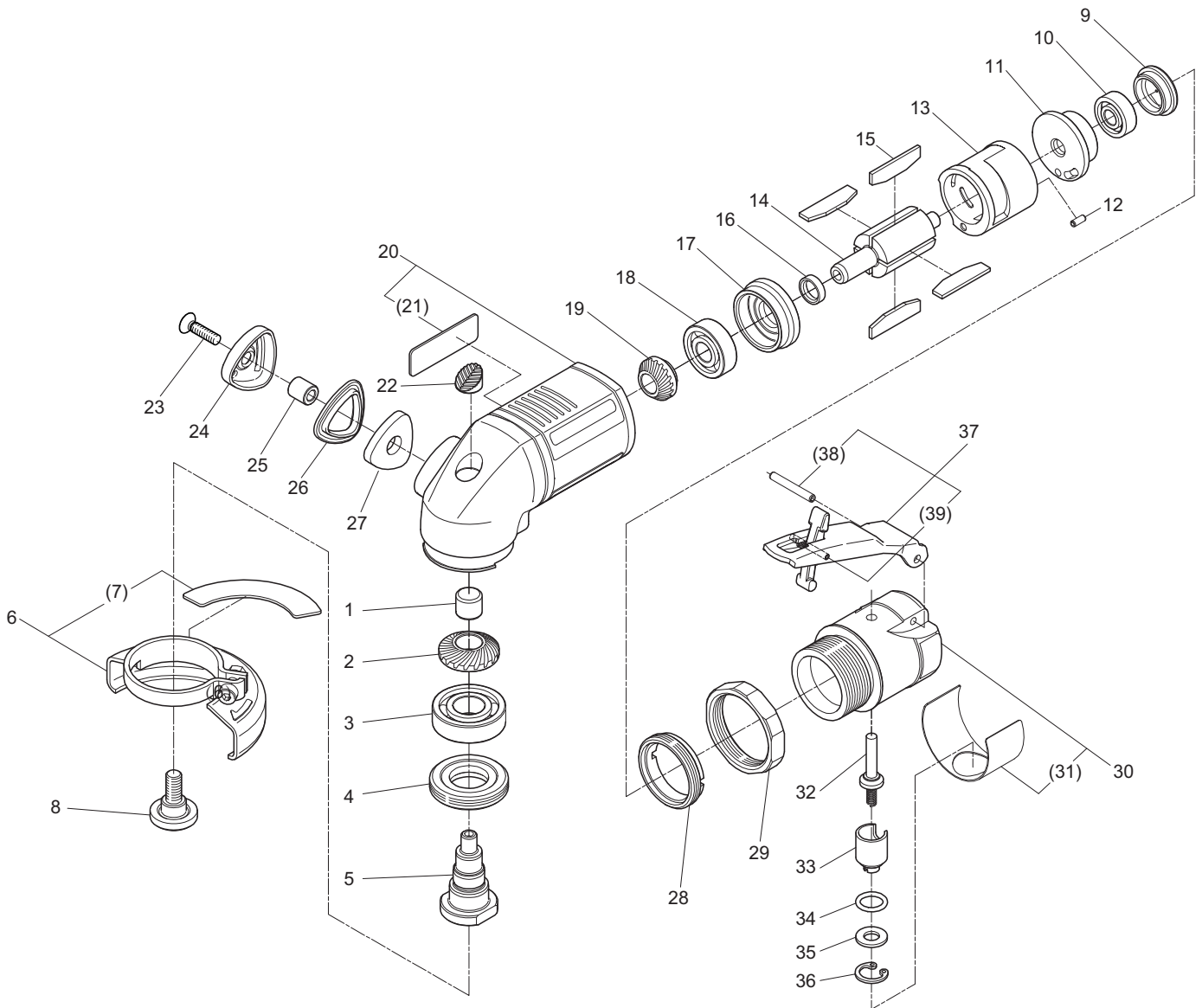
### MYG-25 Exploded View/Parts List

#### ⚠ CAUTION

- Users should never perform disassembly of the tool.

This illustration is for reference only.

For repair or replacement of the tool, request service from the retailer where you purchased the tool or the nearest NITTO service member store.



\*1 indicates a consumable item, \*2 indicates a commercial item. Parts inside ( ) are components of the above assembly.

No.	Part no.	Part name	Quantity
*1 *2	1	TQ12638 Needle Bearing BK0609T2	1
*1	2	TQ12986 Gear 1×22	1
*1 *2	3	TP00498 Ball Bearing 6001ZZ	1
	4	TB08597 Bearing Set Screw Ass'y	1 set
	5	TQ12620 Spindle	1
	6	TB10375 Wheel Guard Ass'y	1 set
	(7)	(TQ15261) Label Warning Wheel Guard	1
	8	TP17962 Outer Flange	1
	9	TP10110 Cap	1
*1 *2	10	TP03933 Ball Bearing 606ZZ	1
	11	TP10109 End Plate A	1
	12	TP00496 Spring Pin 2.5×6 AW	1
	13	TP14222 Cylinder	1
	14	TP14224 Rotor	1
*1	15	TB08602 Blade Ass'y (4pcs.)	1 set
	16	TP06322 Spacer 8×11×3	1
	17	TQ12622 End Plate B	1
*1 *2	18	TP00468 Ball Bearing 608ZZ	1
*1	19	TQ12985 Pinion 1×15	1
	20	TB10378 Housing Ass'y	1 set
	(21)	(TQ15260) Label Warning	1
	22	TQ14892 Plug 25	1
	23	TQ14950 + Countersunk Head Screw 4×16	1
	24	TQ14889 Exhaust Cover	1
	25	TQ14949 Spacer	1
	26	TQ14891 Packing Cover	1
*1	27	TQ15131 Exhaust Filter	1
	28	TP10098 Lock Nut	1
	29	TP03468 Lock Ring	1
	30	TB10377 Valve Body Sub Ass'y	1 set
	(31)	(TQ15262) Label Specification	1
	32	TA93070 Valve Stem Ass'y	1 set
	33	TP06325 Adjust Valve	1
	34	TP11997 O-Ring KS-7	1
	35	TP06326 Spacer 6×12×1.2	1
	36	TP03695 Internal Retaining Ring C-12	1
	37	TB01152 Lever Ass'y	1 set
	(38)	(TP00460) Spring Pin 3×22 AW	1
	(39)	(TP05498) Spring Pin 2×16 AW	1

#### Accessories

No.	Part no.	Part name	Quantity
	TP02236	Bushing R 1/4 × NPT 1/4	1
	—	Grinding Wheel GS #80 × 58	1
	TQ12633	Spanner 19	1
	TP04004	5mm Hex. Socket Screw Key	1
	TQ15263	Instruction Manual	1