

S A N D I N G

PNEUMATIC BELT SANDER BELTON

New ergonomic design

Model **B-10N, B-20N, and B-30N**

Redesigned for operators convenience with improved sanding and polishing efficiency.

Rubber grips prevent cold hands.

The most versatile belt sander ever developed for trimming, chamfering, bead grinding, and finish sanding.



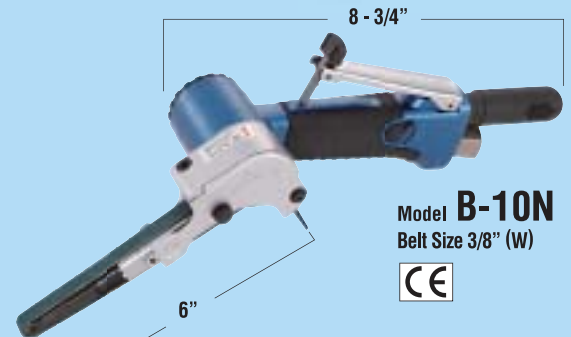
JQA-EM4057
NITTO KOHKI Co., LTD.
Headquarters
Research Center



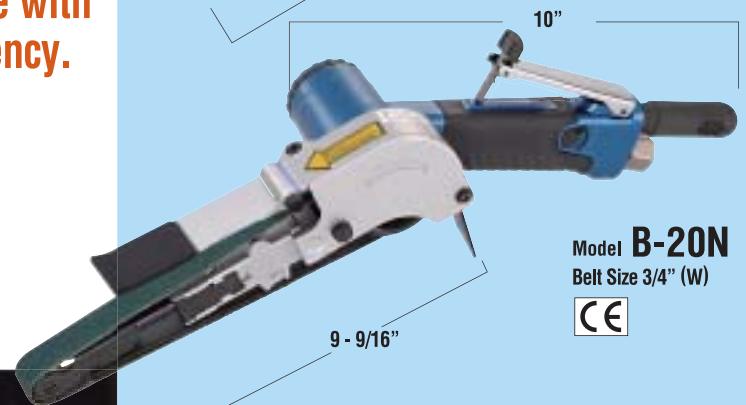
JQA-2042
NITTO KOHKI Co., LTD.
Machine Tools Division

Cat.No. **Tk110**

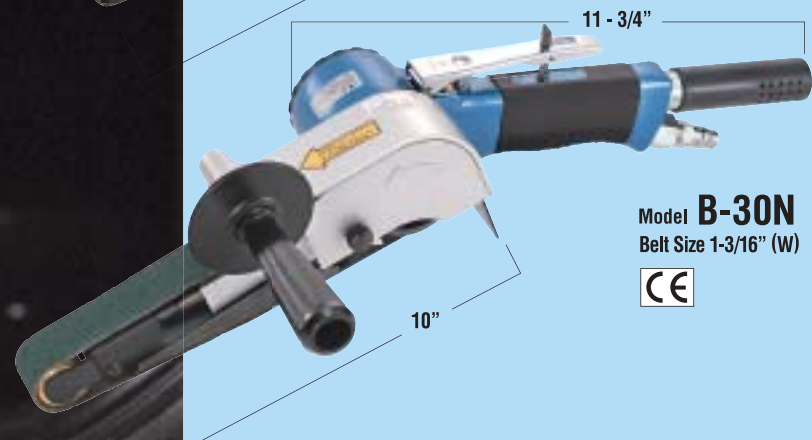
NEW



Model **B-10N**
Belt Size 3/8" (W)



Model **B-20N**
Belt Size 3/4" (W)



Model **B-30N**
Belt Size 1-3/16" (W)



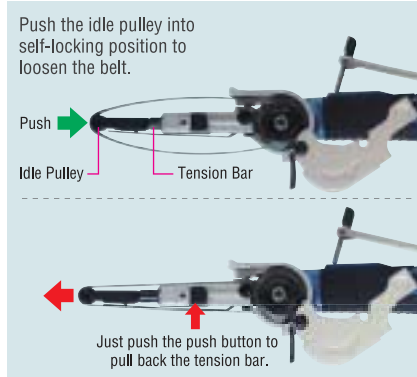
Suitable for sanding jobs in narrow spaces, recessed corners or on curved surfaces.



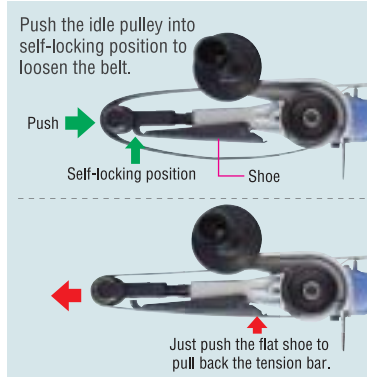
Belt change is quick and easy!

Belt change can be made easily by pushing the idle pulley against the housing to lock the tension bar.

For B-10N & B-20N



For B-30N



Belt speed adjustment

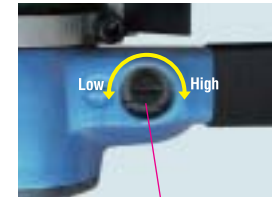
Belt speed can be easily adjusted by turning the adjust lever or adjust valve without a tool.

For B-10N & B-20N



Adjust Lever

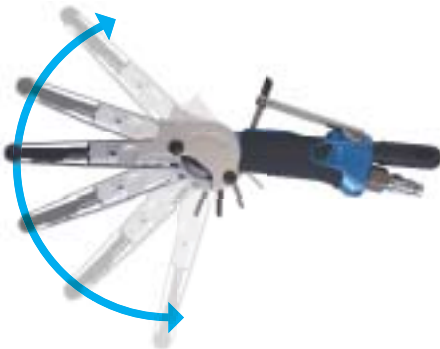
For B-30N



Adjust Valve

Guard position is adjustable

Guard angle can be changed freely in accordance with the working position and shape of the workpiece.



Specifications

Model	B-10N	B-20N	B-30N
Rated Air Pressure	psi 85	85	85
Air Consumption (No load)	cfm 14.2	18.4	24.0
Motor Free Speed	rpm 17,000	17,000	14,000
Belt Speed	fpm 3,675	8,596	7,087
Belt Size	3/8" x 13", 10 x 330mm	3/4" x 20-1/2", 20 x 520mm	1-3/16" x 21-1/4", 30 x 540mm
Hose Size	inch 1/4	1/4	1/4
Mass (Weight)	lbs 1.5	2.6	4.8
Standard Accessories	<ul style="list-style-type: none"> #60, #80, #100, #120 Abrasive Belt - 1 ea. 2mm Allen Wrench 4mm Allen Wrench Threaded Adapter PT 1/4 x NPT 1/4 	<ul style="list-style-type: none"> #60, #80, #100, #120 Abrasive Belt - 1 ea. 2.5mm Allen Wrench 4mm Allen Wrench 5mm Allen Wrench Threaded Adapter PT 1/4 x NPT 1/4 Convex Shoe Finger Pad Assembly 	<ul style="list-style-type: none"> #60, #80, #100, #120 Abrasive Belt - 1 ea. 2mm Allen Wrench 4mm Allen Wrench Threaded Adapter PT 1/4 x NPT 1/4

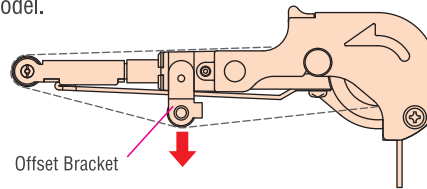
Optional Parts

Offset Bracket Assembly for B-10N, B-20N, and B-30N

An optional offset bracket assembly is available for each model.

Bracket 6 Ass'y for 1/4" x 13" or 6 x 330mm Belt (B-10N)

Part #	Description	Q'ty
TB07283	Bracket 6 Assembly	1 set
TQ10942	Shoe 6 for 1/4" or 6mm belt	1 pc.



Offset Bracket

*Curved surface sanding is possible by using the offset bracket.

Offset Bracket Assembly

Model	Part #
B-10N	TB05539
B-20N	TB07109
B-30N	TB08150

Aluminum Oxide Sanding Belts for Belton Sanders

Sanding Belt for Bracket 6 Ass'y with B-10N

Part #	Belt Grit	Q'ty
TP14646	#60	20 pcs
TP14481	#80	20 pcs
TP14647	#100	20 pcs
TP14482	#120	20 pcs
TP14648	#180	20 pcs

Sanding Belt for B-10N

Part #	Belt Grit	Q'ty
@U40001	#40	20 pcs
TP12438	#60	20 pcs
TP12439	#80	20 pcs
TP12440	#100	20 pcs
TP12441	#120	20 pcs
@U40002	#150	20 pcs
TP12543	#180	20 pcs

Sanding Belt for B-20N

Part #	Belt Grit	Q'ty
TP01941	#40	20 pcs
TP01936	#60	20 pcs
TP01942	#80	20 pcs
TP01943	#100	20 pcs
TP01944	#120	20 pcs
@U40004	#150	20 pcs
TP02002	#180	20 pcs

Sanding Belt for B-30N

Part #	Belt Grit	Q'ty
TP04074	#40	20 pcs
TP04084	#60	20 pcs
TP04085	#80	20 pcs
TP04086	#100	20 pcs
TP04078	#120	20 pcs
@U40006	#150	20 pcs
TP04511	#180	20 pcs



4525 Turnberry Drive, Hanover Park, IL 60133
Toll Free: 800-323-8828 / Fax: 630-924-0303
info@nittokohki.com

www.nittokohki.com

Distributed by

► Specifications and designs are subject to change at any time without notice.