

12. EXPLODED DIAGRAM: B-20NB

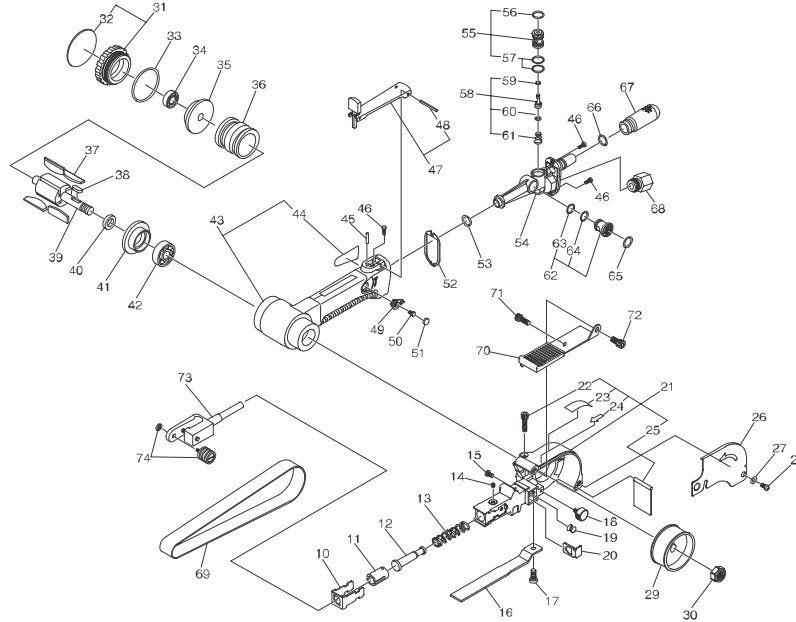
Warning

This diagram is for your reference only. Do not attempt to service or repair the Tool. Do not take the Tool apart. Contact an authorized Nitto dealer for all service and repair of the Tool.

Improper service and repair can cause accidents and severe injuries.

Never attempt to modify the Tool.

Never attempt service or repair the Tool yourself.



The parts numbers with () are included in the Ass'y parts written above them.

No.	Part No.	Description	Qty	Price
73	TB08336	Idle Pulley Bracket Sub Ass'y	1set	
74	TA90514	Idle Pulley B Ass'y	1set	
10	TQ11610	Stopper	1	
11	TQ11609	Guard Insert	1	
12	TQ11620	Push Rod	1	
13	TQ11621	Spring1.6X11X45	1	
14	TQ12196	Hex. Socket Set Screw 4X5 with Cup Point	1	
15	TQ11659	Hex. Socket Button Head Screw 3X6	1	
16	TQ12411	Shoe	1	
17	TQ11680	Pan Head Screw 5X6	1	
18	TQ10712	Decorative Screw	1	
19	TQ07218	Spring 0.35X7.5X7	1	
20	TQ11622	Push Button	1	
21	TB08068	Guard Sub Ass'y B	1set	
22	(TP04532)	Hex. Socket Head Cap Screw 5X30	1	
23	(TP16361)	Label Caution	1	
24	(TP16360)	Label Rotation	1	
25	(TP16207)	Dust Cover	1	
26	TQ11618	Belt Cover	1	
27	TP00144	Washer M4	1	
28	TP12819	Pan Head Screw4X6	1	
29	TQ11617	Drive Pulley	1	
30	TP01918	Hex. Nut M10	1	
31	TB08579	Cap Ass'y	1set	
32	(TQ12604)	Label Model B-20NB	1	
33	CQ04413	O-ring S-38	1	
34	TP00468	Ball Bearing 608ZZ	1	
35	TP01907	End Plate A	1	
36	TP10000	Cylinder	1	
37	TA9A212	Blade Ass'y(4pcs/set)	1set	
38	TP00502	Parallel Key Both Ends Round 4X4X9.5	1	
39	TP01909	Rotor	1	
40	TP01912	Spacer	1	
41	TP01911	End Plate B	1	
42	TP01913	Ball Bearing 6000ZZ	1	
43	TB08627	Housing Sub Ass'y	1set	
44	(TQ12650)	Label Warning	1	
45	TQ11724	Parallel Pin 3X16	1	

No.	Part No.	Description	Qty	Price
46	TQ11560	Tapping Screw 3X8	3	
47	TB07709	Lever Ass'y	1set	
48	(TP13893)	Spring Pin 3X22AW	1	
49	TQ11554	Adjust Lever	1	
50	TP08598	Pan Head Screw3X5	1	
51	TQ11626	Lever Cap	1	
52	TQ11555	Packing	1	
53	CQ14480	O-ring JASO-1010	1	
54	TQ11551	Air Inlet	1	
55	TB07938	Throttle Valve Ass'y	1set	
56	(TP14604)	O-ring S-10	1	
57	(TP12569)	O-ring S-11.2	2	
58	TB07708	Valve Stem Ass'y	1set	
59	(TQ10395)	O-ring SS-2.5	1	
60	(TP11994)	O-ring P-4	1	
61	(TP03769)	Valve Spring	1	
62	TB07937	Adjust Valve Ass'y	1set	
63	(CQ25954)	O-ring AS568-012	1	
64	(CQ05860)	O-ring AS568-013	1	
65	(CP24969)	O-ring JASO-1011	1	
66	TP07031	O-ring S-8	1	
67	TQ11558	Silencer	1	
68	TP00857	Bushing M16XRc1/4	1	

Accessories

No.	Part No.	Description	Qty	Price
69	TP15867	Abrasive Belt Z76X #60X20	2	
	TP15868	Abrasive Belt Z76X #80X20	1	
	TP15869	Abrasive Belt Z76X #100X20	1	
	TP15870	Abrasive Belt Z76X #120X20	1	
	70	TB07908	Finger Pad Sub Ass'y	1set
71	(TP00051)	Pan Head Screw 5X10	1	
72	(TP02419)	Pan Head Screw 6X10	1	
	TP01939	Hex. Socket Screw Key 4	1	
	TQ11686	Convex Shoe	1	
	TP02236	Bushing R1/4XNPT1/4	1	
	TQ12660	Instruction Manual	1	
	TQ12617	Declaration of Conformity	1	