

13. EXPLODED DIAGRAM: B-20CL-A

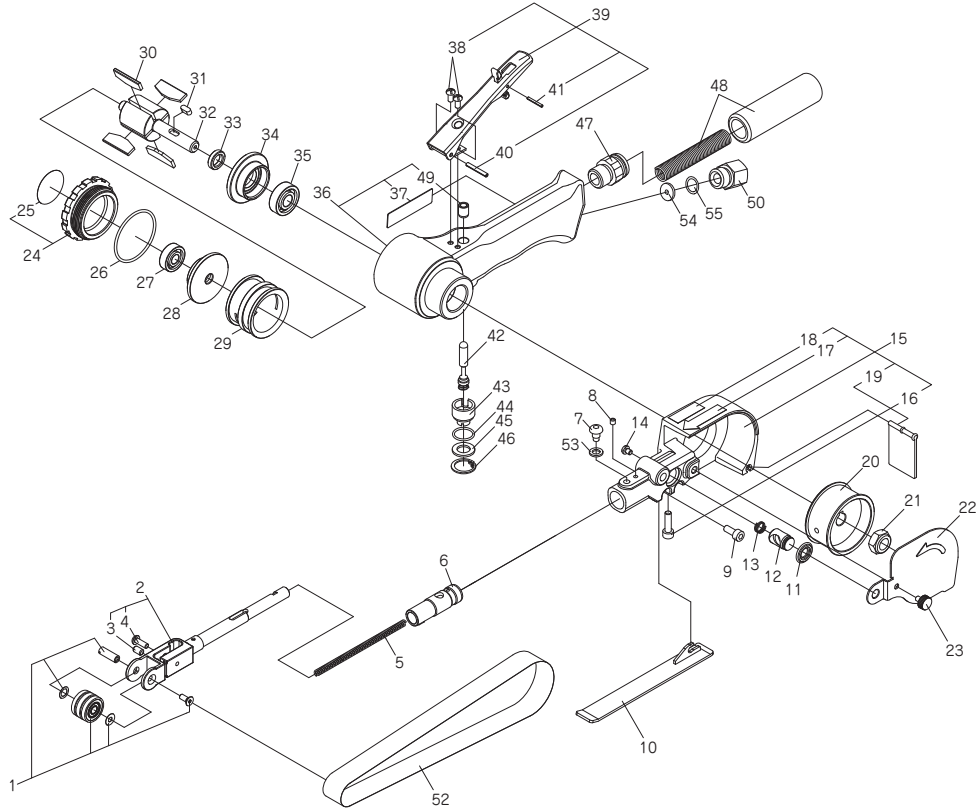
Warning

This diagram is for your reference only. Do not attempt to service or repair the Tool. Do not take the Tool apart. Contact an authorized Nitto dealer for all service and repair of the Tool.

Improper service and repair can cause accidents and severe injuries.

Never attempt to modify the Tool.

Never attempt service or repair the Tool yourself.



The parts numbers with () are included in the Ass'y parts written above them.

No.	Part No.	Description	Qty	Price
1	TA99884	Idle Pulley A Ass'y	1set	
2	TB10161	Idle Pulley Bracket A Sub Ass'y	1set	
3	(TP06258)	Hex. Socket Set Screw 5x8 with Flat Point	1	
4	(TP16196)	Hex. Socket Head Button Screw 4X12	1	
5	TQ14693	Spring 1.2X3.8X109	1	
6	TB10002	Guard Insert 20 Ass'y	1set	
7	TQ14688	Key Bolt 20	1	
53	TQ14824	Washer M6 6.4X11.5X1.6	1	
8	TQ14689	Hex. Socket Set Screw 4X5with Cone Point	1	
9	TP00200	Hex. Socket Head Cap Screw 5X8	1	
10	TQ15025	Shoe 20	1	
11	TQ14695	Push Button Cap 20	1	
12	TQ14694	Push Button 20	1	
13	TQ14696	Spring 0.6X8.6X7.5	1	
14	TV01534	Pan Head Screw 4X4	1	
15	TB09933	Guard 20 Sub Ass'y	1set	
16	(TP01934)	Hex. Socket Head Cap Screw 5X18	1	
17	(TP16360)	Label Rotation	1	
18	(TP16361)	Label Caution	1	
19	(TQ14691)	Dust Cover 20	1	
20	TQ11617	Drive Pulley	1	
21	TP01918	Hex. Nut M6x1.25	1	
22	TQ14687	Belt Cover 20	1	
23	TQ02418	Decorative Screw	1	
24	TB15306	Cap Ass'y	1set	
25	(TQ15198)	Label Model B-20CL-A	1	
26	TQ14856	O-ring S- 42	1	
27	TP00468	Ball Bearing 608ZZ	1	
28	TQ14819	End Plate A	1	
29	TQ14822	Cylinder	1	
30	TB10009	Blade Ass'y (4pcs/set)	1set	
31	TP00502	Parallel Key 4X4X 9.5	1	
32	TQ14820	Rotor	1	
33	TP01912	Spacer	1	

No.	Part No.	Description	Qty	Price
34	TQ14821	End Plate B	1	
35	TQ15012	Ball Bearing 6000ZZ LP03	1	
36	TB09963	Housing Sub Ass'y	1set	
37	(TQ14731)	Label Warning	1	
49	(TQ14780)	Bushing	1	
38	TP06290	Pan Head Screw 4X8	2	
39	TB01793	Lever Ass'y	1set	
40	(TP00460)	Spring Pin 3X22 AW	1	
41	(TP05498)	Spring Pin 2X16 AW	1	
42	TB10019	Valve Stem Ass'y	1	
43	TP12405	Adjust Valve	1	
44	TP12407	O-ring S- 15	1	
45	TP12406	Spacer 10.5X17.9X1.6	1	
46	CP00987	Internal Retaining Ring C-18	1	
47	TP10005	Bushing PF 3/8	1	
48	TA96323	Silencer Sub Ass'y	1	
54	TQ15013	Spacer 3.1X14X2	1	
55	CP21038	O-ring P-10A	1	
50	TP00857	Bushing M16XPT1/4	1	
52	-	Abrasive Belt #60x20	1	

Accessories

No.	Part No.	Description	Qty	Price
	TP02236	Bushing PT1/4xNPT1/4	1	
	TP04305	Hex. Socket Screw Key 2.5	1	
	TP01939	Hex. Socket Screw Key 4	1	
	-	Abrasive Belt #60x20	1	
	-	Abrasive Belt #80x20	1	
	-	Abrasive Belt #100x20	1	
	-	Abrasive Belt #120x20	1	
	TQ14708	Convex Shoe	1	
	TQ14733	Instruction Manual	1	