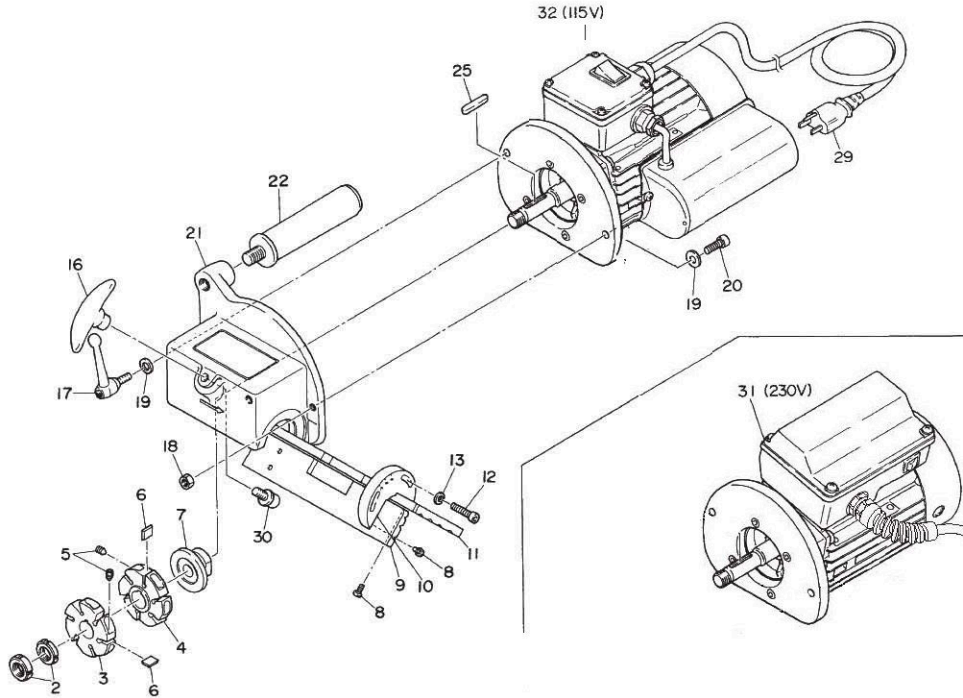


10 EXPLODED DIAGRAM : HB-15B

⚠ WARNING

This diagram is for your reference only. Do not attempt to service or repair the Tool. Do not take the Tool apart. Contact an authorized Nitto dealer for all service and repair of the Tool. Improper service and repair can cause accidents and service injuries. Never attempt to modify the Tool. Never attempt service or repair the Tool yourself.



The parts numbers with () are included in the Ass'y parts written above them.

| No. | Part No. | Description | Qty | Price |
|-----|-----------|-------------------------------------|-------|-------|
| 2 | TP04157 | Nut for Roller Bearing AN03 | 2 | |
| 3 | TA9A066 | Holder A Ass'y | 1 set | |
| 4 | TA9A067 | Holder B Ass'y | 1 set | |
| 5 | (TP04689) | Hex. Socket Head set Screw 6 x 8 | 12 | |
| 6 | TA9A093 | Indexable Insert 12.7(12pcs. / Set) | 1 set | |
| 7 | TQ11091 | Adapter | 1 | |
| 8 | TQ00208 | Hex. Socket Head Screw 6 x 12 | 8 | |
| 9 | TQ00207 | Plate C | 1 | |
| 10 | TP16124 | Plate Guide | 2 | |
| 11 | TQ00205 | Plate A | 1 | |
| 12 | TP06217 | Hex. Socket Head Bolt 6 x 25 | 4 | |
| 13 | TP00092 | Plain Washer M6 | 4 | |
| 16 | TA9A074 | T Handle Ass'y | 1 set | |
| 17 | TP16159 | Clamp Lever | 1 | |
| 18 | TP08584 | Hex. Nut M8 | 1 | |
| 19 | TP10978 | Plain Washer M8 | 2 | |
| 20 | TP07353 | Hex. Socket Head Bolt 8 x 30 | 1 | |
| 21 | TA99911 | Body Sub Ass'y | 1 set | |
| 22 | TA92089 | Sub Handle Ass'y | 1 set | |
| 25 | TP16151 | Sunk Key 5 x 5 x 36 | 1 | |
| 29 | TA9A757 | Cabtyre Cable Ass'y | 1 set | |

| No. | Part No. | Description | Qty | Price |
|-----|----------|---|-------|-------|
| 30 | TQ03353 | Hex. Socket Head Cap Screw 10 x 30 with Spring Washer | 1 | |
| 31 | TB02203 | Motor Ass'y (220 V- 240 V) | 1 set | |
| 32 | TB02204 | Motor Ass'y (110 V- 120 V) | 1 set | |

Accessories

| No. | Part No. | Description | Qty | Price |
|-----|----------|-------------------------------------|-------|-------|
| | TP16613 | T Wrench Key | 1 | |
| | TP01939 | Hex. Socket Screw Key 4 | 1 | |
| | TP04004 | Hex. Socket Screw Key 5 | 1 | |
| | TP00170 | Hex. Socket Screw Key 6 | 1 | |
| | TP04309 | Spanner 24 x 27 | 1 | |
| | TP16410 | Hook Spanner 25 - 28 | 1 | |
| | TQ00206 | Plate B | 1 | |
| | TA99834 | Roller Bracket Ass'y | 1 set | |
| | TP16600 | Spacer A | 1 | |
| | TP16601 | Spacer B | 1 | |
| | TA9A093 | Indexable Insert 12.7(12pcs. / Set) | 1 set | |