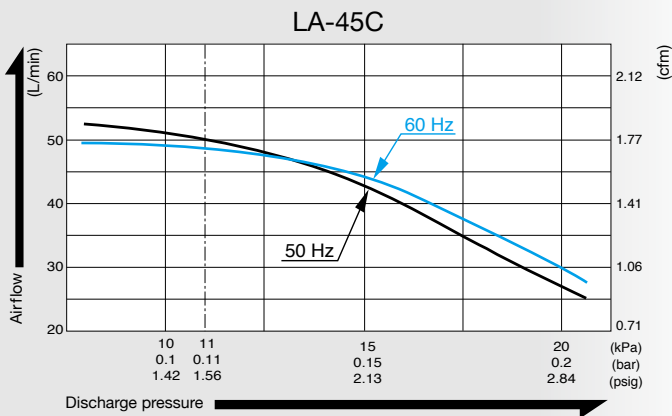
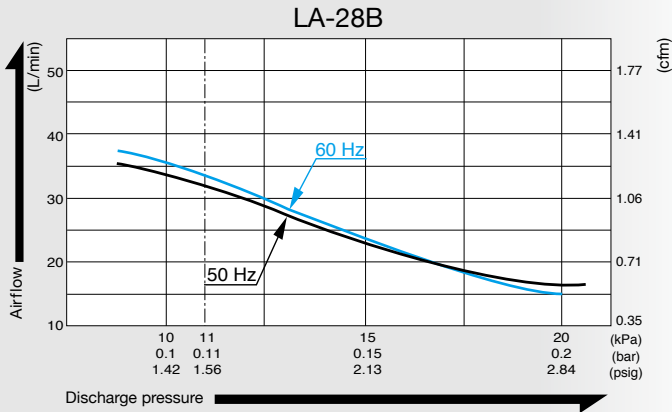


# MEDO BLOWER

## Model LA-28B & LA-45C



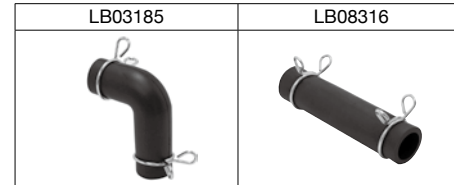
### Airflow Characteristics



### Specifications

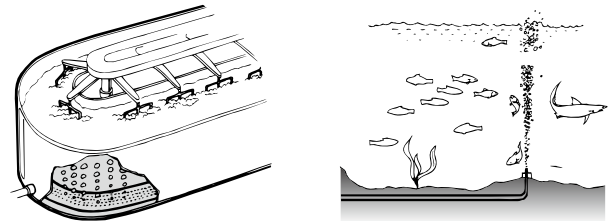
	LA-28B		LA-45C	
Power Supply	120 V AC	230/240 V AC	120 V AC	230/240 V AC
Rated Frequency	60 Hz	50 Hz	60 Hz	50 Hz
Power Consumption	25.5 W	29 W	45 W	47 W
Rated Pressure	11 kPa (0.11 kgf/cm <sup>2</sup> ) 0.11 bar 1.56 psig			
Rated Airflow	28 L/min 0.99 cfm		45 L/min 1.59 cfm	
Weight	2.9 kg 6.4 Lbs		3.2 kg 7.1 Lbs	

### Optional Hose Assemblies



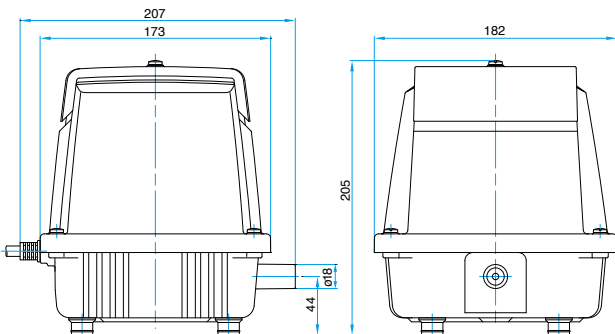
### Application Examples

#### Liquid Mixer Bubbling



### External Dimensions (Unit: mm)

LA-28B



LA-45C

