




For Multi-Port Connection (Manual)

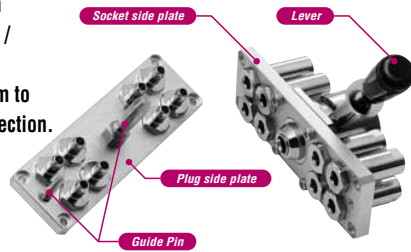
Multi Cupla MAM Type

Multiple air port system

Working pressure	Valve structure	Applicable fluid
 0.7 MPa (7 kgf/cm ²)	 One-way shut-off	 Air

**Simultaneously connects several ports securely in one operation!
Greatly cuts cycle time in multiple ports replacement.**

- Handles several ports at once.
- Simple manual lever action completes easy connection / disconnection.
- Comes with lock mechanism to prevent accidental disconnection.
- Valve on socket side only.



Specifications

Body material	Cupla : Brass (Chrome-plated) Plate : Aluminum alloy (4, 8, 12 ports) / Plate : Steel (16 ports) Locking unit : Steel and others		
Size	1/8"		
Working pressure MPa (kgf/cm²)	0.7 (7)		
Pressure resistance MPa (kgf/cm²)	1.0 (10)		
Seal material	Seal material	Mark	Working temperature range
Working temperature range	Nitrile rubber	NBR (SG)	-20°C~+60°C

Max. Tightening Torque N·m (kgf·cm)

Torque	5 (51)
---------------	--------

Interchangeability

No connection is possible between plates with different number of ports.

Min. Cross-Sectional Area (mm²)

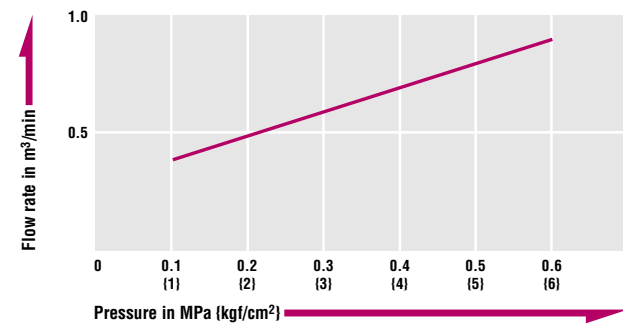
Per port	15.9
-----------------	------

Suitability for Vacuum

Not suitable for vacuum application in either connected or disconnected condition.

Pressure - Flow Characteristics Per port with Cupla

[Test conditions] • Fluid : Air • Temperature : Room temperature



Models and Dimensions

WAF : WAF stands for width across flats.

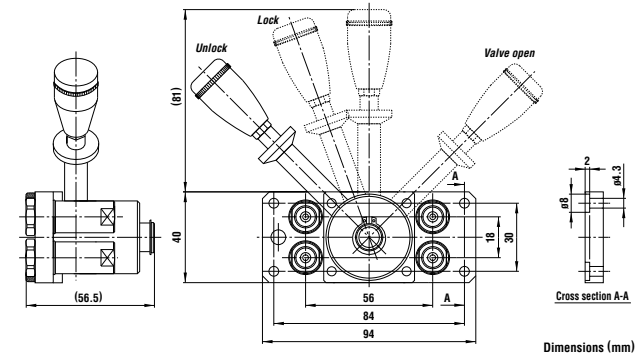
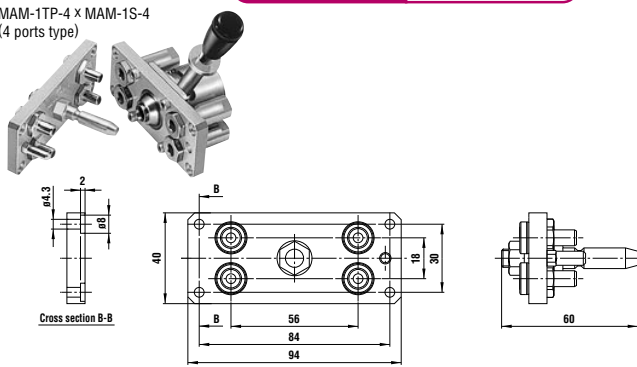
Model MAM-1TP-4 × MAM-1S-4 (4 ports type)

Application: R1/8 Mass: 150g (Plug), 500g (Socket)

Plug: Model **MAM-1TP-4**

Socket: Model **MAM-1S-4**

MAM-1TP-4 × MAM-1S-4
(4 ports type)



Dimensions (mm)

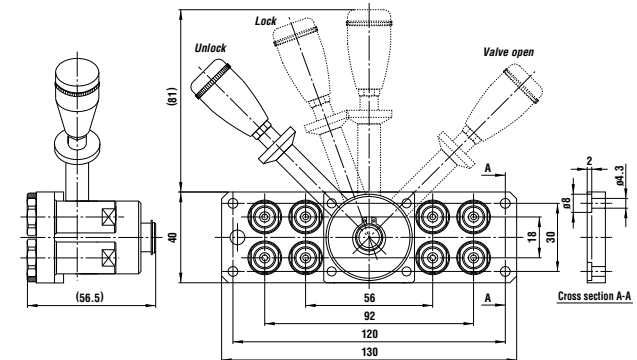
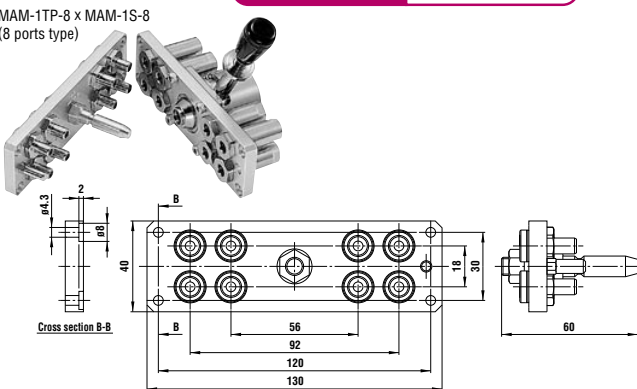
Model MAM-1TP-8 × MAM-1S-8 (8 ports type)

Application: R1/8 Mass: 250g (Plug), 650g (Socket)

Plug: Model **MAM-1TP-8**

Socket: Model **MAM-1S-8**

MAM-1TP-8 × MAM-1S-8
(8 ports type)



Dimensions (mm)

Model MAM-1TP-12 x MAM-1S-12 (12 ports type)

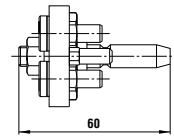
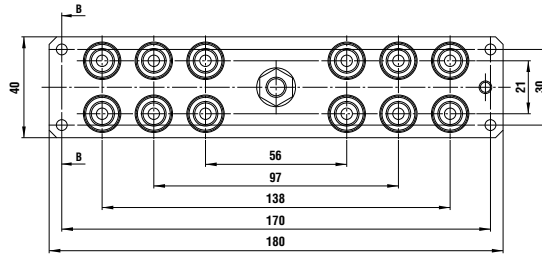
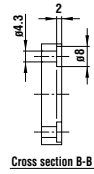
Application: R1/8

Mass: 350g (Plug), 800g (Socket)

Plug: Model

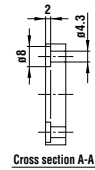
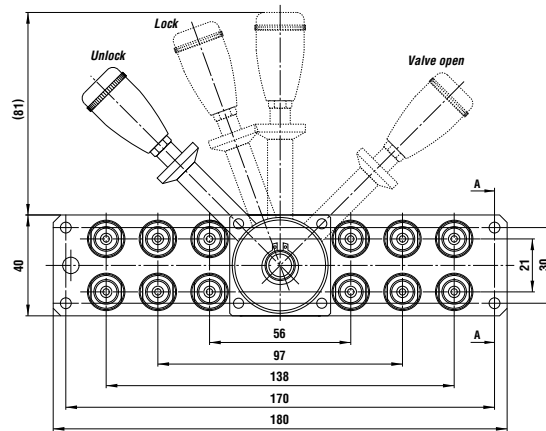
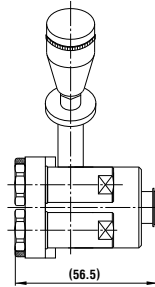
MAM-1TP-12

MAM-1TP-12 x MAM-1S-12
(12 ports type)



Socket: Model

MAM-1S-12



Dimensions (mm)

Model MAM-1TP-16 x MAM-1S-16 (16 ports type)

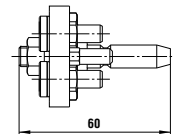
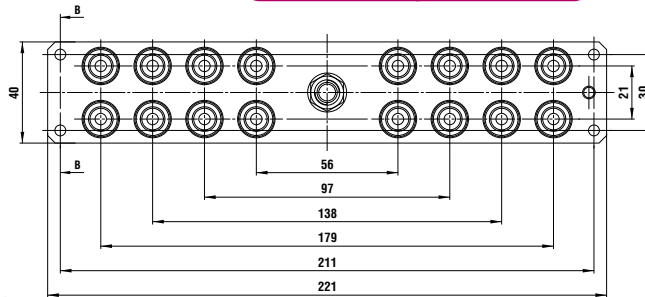
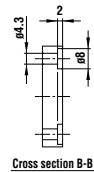
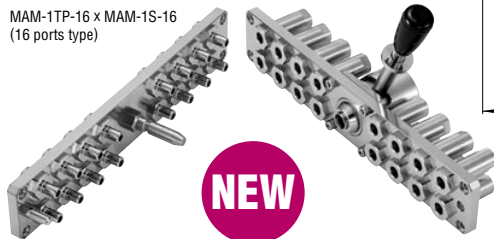
Application: R1/8

Mass: 680g (Plug), 1180g (Socket)

Plug: Model

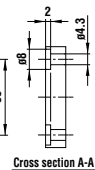
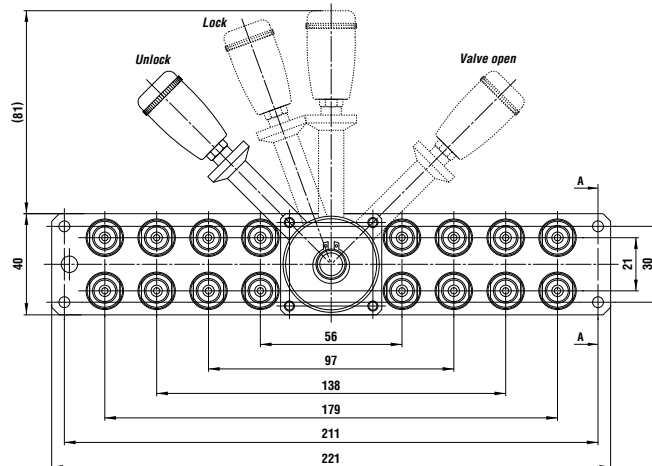
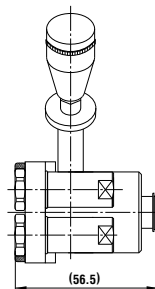
MAM-1TP-16

MAM-1TP-16 x MAM-1S-16
(16 ports type)



Socket: Model

MAM-1S-16



Dimensions (mm)