

For Multi-Port Connection (Manual)

Multi Cupla MAM-B Type

Multiple port system

Working pressure



1.0 MPa
(10 kgf/cm²)

Valve structure



Two-way shut-off

Applicable fluid



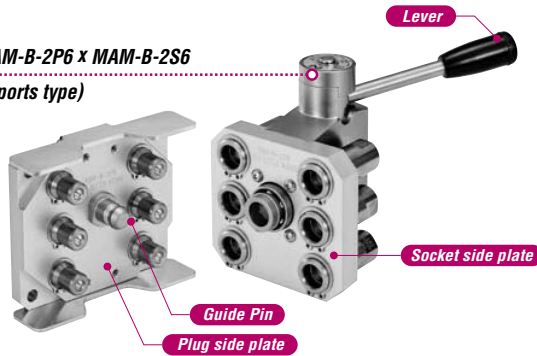
Air Water

NEW

Simultaneously connects several ports securely in one operation. Greatly reduces changeover time in multiple ports replacement.

- Handles several ports at once.
- Simple manual lever action completes easy connection / disconnection.
- Two-stage lever operation prevents Cupla from accidental dropping due to sudden detachment.
- Comes with lock mechanism to prevent accidental disconnection.
- Large flow equivalent to that of SP Cupla Type A.
- Two kinds of plates are available for each size.
- Automatic shut-off valves in both socket and plug prevent fluid spill out on disconnection.
- Self-aligned valve design provides safety sealing of individual socket or plug when disconnected.

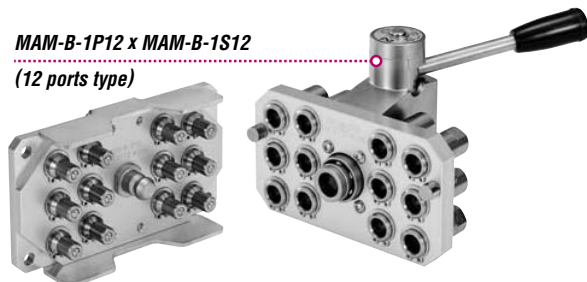
MAM-B-2P6 x MAM-B-2S6
(6 ports type)



MAM-B-1P8 x MAM-B-1S8
(8 ports type)



MAM-B-1P12 x MAM-B-1S12
(12 ports type)



Specifications

Model	Plug	MAM-B-1P8	MAM-B-1P12	MAM-B-2P6	MAM-B-2P8
	Socket	MAM-B-1S8	MAM-B-1S12	MAM-B-2S6	MAM-B-2S8
Number of ports		8	12	6	8
Size		1/8"		1/4"	
Body material		Cupla: Brass (Nickel-plated)		Plate: Aluminum alloy	
		Locking unit: Steel (Autocatalytic nickel-phosphorus coating)			
Working pressure MPa (kgf/cm ²)		1.0 (10)			
Pressure resistance MPa (kgf/cm ²)		1.5 (15)			
Ambient temperature range		0°C~+60°C			
Sealing material	Sealing material	Mark	Working temperature range	Remarks	
Working temperature range	Fluoro rubber	FKM (X-100)	-20°C~+180°C	Standard material	

Max. Tightening Torque

N·m (kgf·cm)

Size	1/8"	1/4"
Torque	5 (51)	9 (92)

Interchangeability

No connection is possible between plates with different number of ports.

Min. Cross-Sectional Area per Port

(mm²)

Model	1SP	2SP
Min. cross-sectional area	14	26

Suitability for Vacuum

1.3 x 10⁻¹Pa (1 x 10⁻³mmHg)

Socket only	Plug only	When connected
—	—	Operational

Admixture of Air on Connection per Port

(mℓ)

Model	1SP	2SP
Volume of air	0.6	1.1

Volume of Spillage on Disconnection per Port

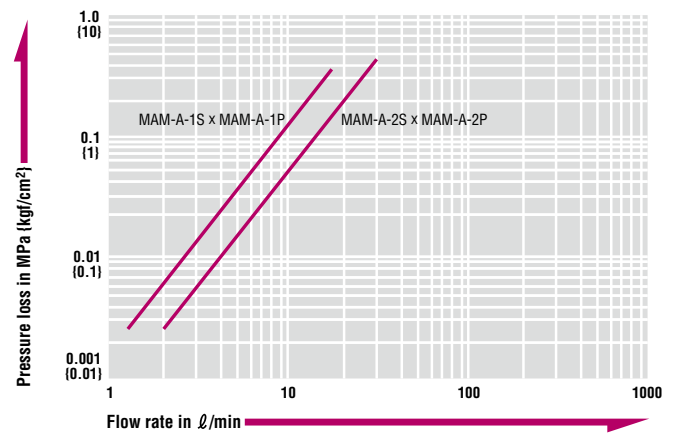
(mℓ)

Model	1SP	2SP
Volume of spillage	0.4	0.8

Flow Rate - Pressure Loss Characteristics

Per port of Cupla

[Test conditions] • Fluid : Water • Temperature : 25°C ± 5°C



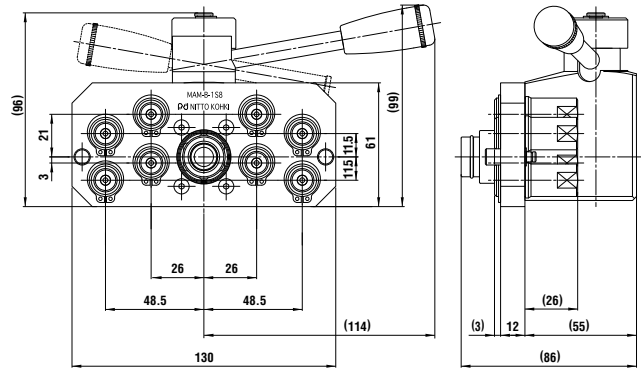
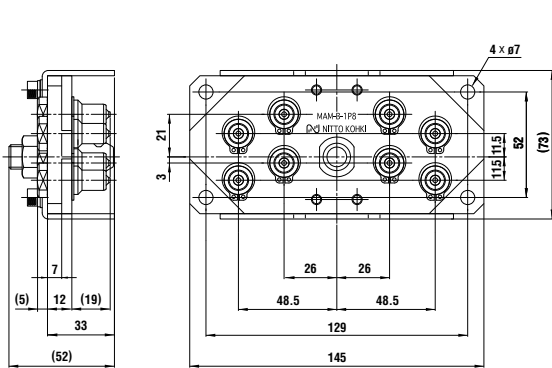
Models and Dimensions

Model MAM-B-1P8 × MAM-B-1S8 (8 ports type)

• Application: R1/8 Mass: 660g (Plug), 1210g (Socket)

Plug: Model MAM-B-1P8

Socket: Model MAM-B-1S8



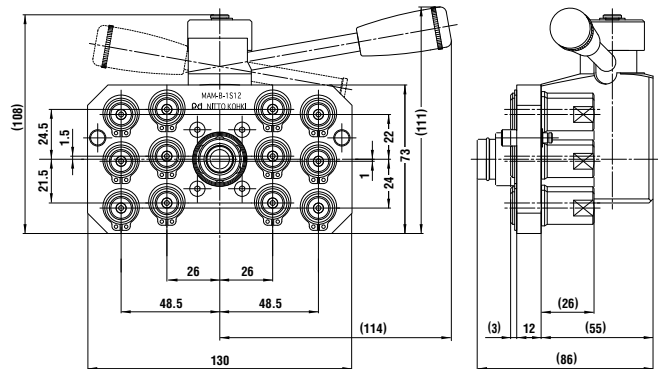
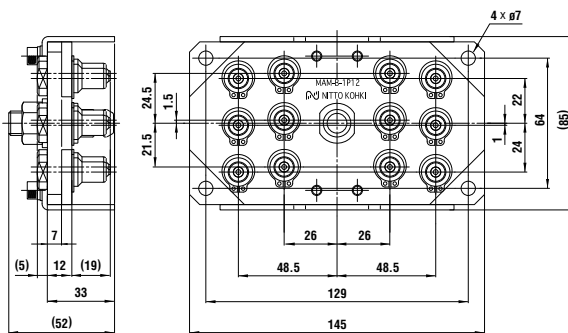
Dimensions (mm)

Model MAM-B-1P12 × MAM-B-1S12 (12 ports type)

• Application: R1/8 Mass: 790g (Plug), 1430g (Socket)

Plug: Model MAM-B-1P12

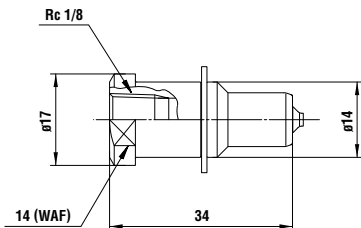
Socket: Model MAM-B-1S12



Dimensions (mm)

Plug Model MAM-A-1P (Individual Cupla)

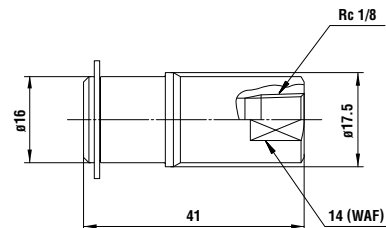
• Application: R1/8 Mass: 25g
• Can be mounted on model MAM-B-1P8 and MAM-B-1P12.



Dimensions (mm)

Socket Model MAM-A-1S (Individual Cupla)

• Application: R1/8 Mass: 49g
• Can be mounted on model MAM-B-1S8 and MAM-B-1S12.



Dimensions (mm)

Made-to-order Multi Cuplas are available on request, such as a combination of different sizes on the flange plate.

Before use, please be sure to read "Safety Guide" described at the end of this book and "Instruction Sheet" that comes with the products.

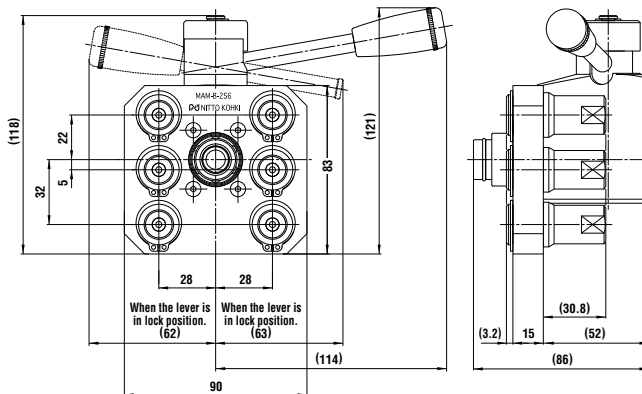
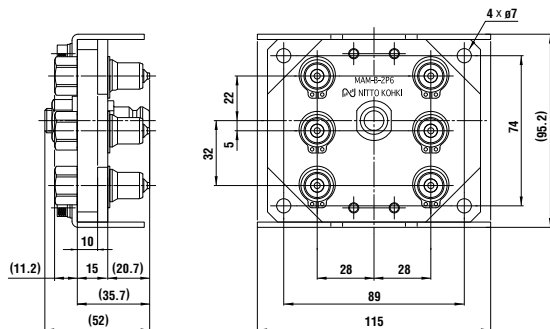
Models and Dimensions

Model MAM-B-2P6 × MAM-B-2S6 (6 ports type)

• Application: R1/4 Mass: 740g (Plug), 1280g (Socket)

Plug: Model **MAM-B-2P6**

Socket: Model **MAM-B-2S6**



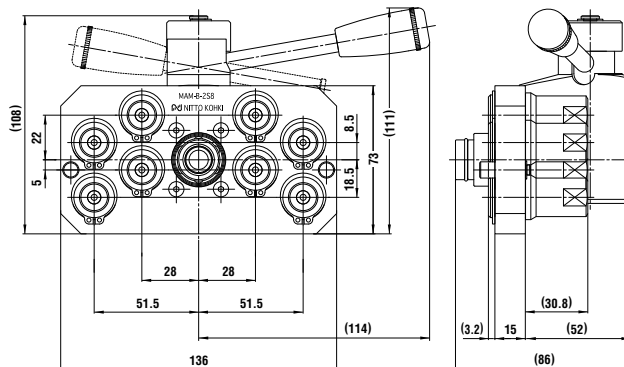
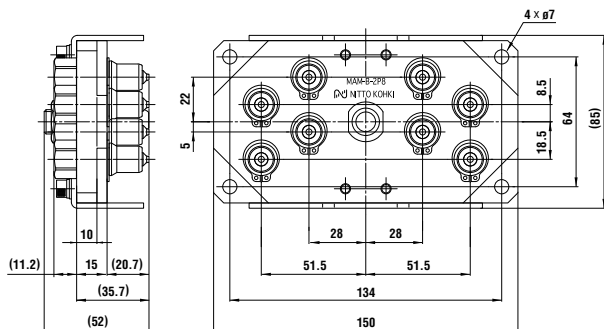
Dimensions (mm)

Model MAM-B-2P8 × MAM-B-2S8 (8 ports type)

• Application: R1/4 Mass: 920g (Plug), 1550g (Socket)

Plug: Model **MAM-B-2P8**

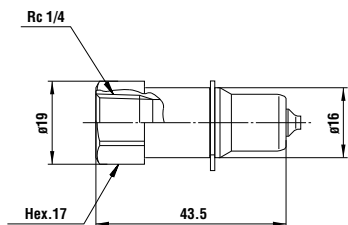
Socket: Model **MAM-B-2S8**



Dimensions (mm)

Plug Model MAM-A-2P (Individual Cupla)

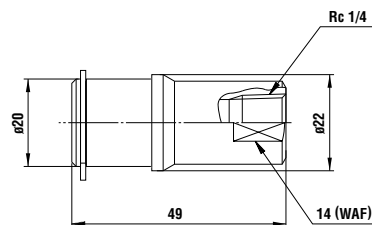
- Application: R1/4 Mass: 40g
- Can be mounted on model MAM-B-2P6 and MAM-B-2P8.



Dimensions (mm)

Socket Model MAM-A-2S (Individual Cupla)

- Application: R1/4 Mass: 82g
- Can be mounted on model MAM-B-2S6 and MAM-B-2S8.



Dimensions (mm)

Made-to-order Multi Cuplas are available on request, such as a combination of different sizes on the flange plate.

Before use, please be sure to read "Safety Guide" described at the end of this book and "Instruction Sheet" that comes with the products.