

## For Multi-Port Connection (Manual)

# Multi Cupla MAM-A Type

### Multiple port system

Working pressure



1.0 MPa  
(10 kgf/cm<sup>2</sup>)

Valve structure



Two-way shut-off

Applicable fluid



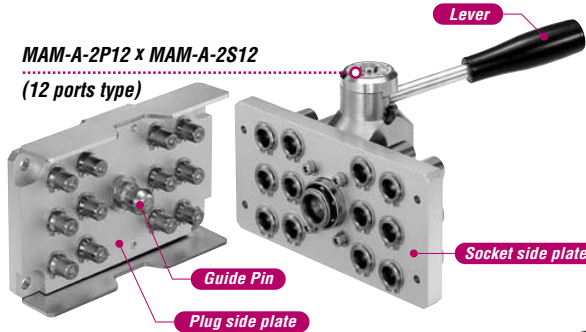
Air

Water

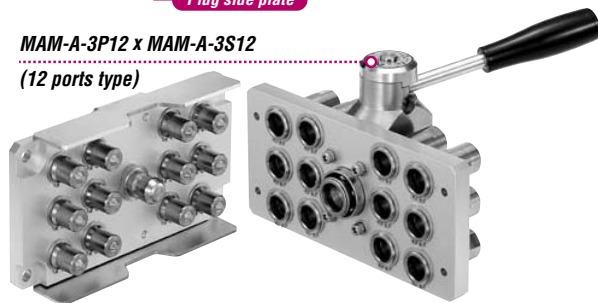
**Simultaneously connects several ports securely in one operation! Greatly reduces changeover time in multiple ports replacement.**

- Handles several ports at once.
- Simple manual lever action completes easy connection / disconnection.
- Two-stage lever operation prevents Cupla from accidental dropping due to sudden detachment.
- Comes with lock mechanism to prevent accidental disconnection.
- Large flow equivalent to that of SP Cupla Type A.
- Two kinds of plates are available for each size.
- Automatic shut-off valves in both socket and plug prevent fluid spill out on disconnection.
- Self-aligned valve design provides safety sealing of individual socket or plug when disconnected.

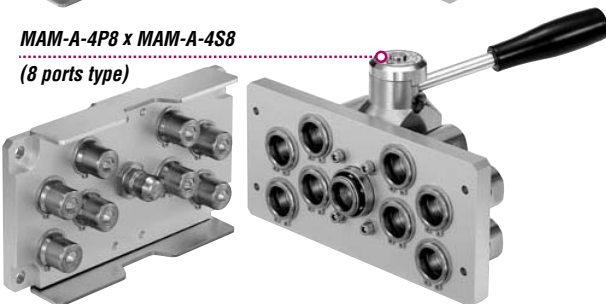
**MAM-A-2P12 x MAM-A-2S12**  
(12 ports type)



**MAM-A-3P12 x MAM-A-3S12**  
(12 ports type)



**MAM-A-4P8 x MAM-A-4S8**  
(8 ports type)



### Specifications

Model	Plug	MAM-A-2P6	MAM-A-2P12	MAM-A-3P6	MAM-A-3P12	MAM-A-4P4	MAM-A-4P8
	Socket	MAM-A-2S6	MAM-A-2S12	MAM-A-3S6	MAM-A-3S12	MAM-A-4S4	MAM-A-4S8
Number of ports		6	12	6	12	4	8
Size		1/4"		3/8"		1/2"	
Body material		Cupla: Brass (Nickel-plated)				Plate: Aluminum alloy	
		Locking unit: Steel (Autocatalytic nickel-phosphorus coating)					
Working pressure MPa (kgf/cm <sup>2</sup> )		1.0 (10)					
Pressure resistance MPa (kgf/cm <sup>2</sup> )		1.5 (15)					
Ambient temperature range		0°C~+60°C					
Sealing material	Sealing material	Fluoro rubber		Mark	FKM (X-100)		Working temperature range
Working temperature range		-20°C~+180°C		Remarks	Standard material		

### Max. Tightening Torque

N·m (kgf·cm)

Size	1/4"	3/8"	1/2"
Torque	9 {92}	12 {122}	30 {306}

### Interchangeability

No connection is possible between plates with different number of ports.

### Min. Cross-Sectional Area per Port

(mm<sup>2</sup>)

Model	2SP	3SP	4SP
Min. cross-sectional area	26	51	73

### Suitability for Vacuum

1.3 x 10<sup>-1</sup>Pa (1 x 10<sup>-3</sup>mmHg)

Socket only	Plug only	When connected
—	—	Operational

### Admixture of Air on Connection per Port

(mℓ)

Model	2SP	3SP	4SP
Volume of air	1.1	2.7	3.9

### Volume of Spillage on Disconnection per Port

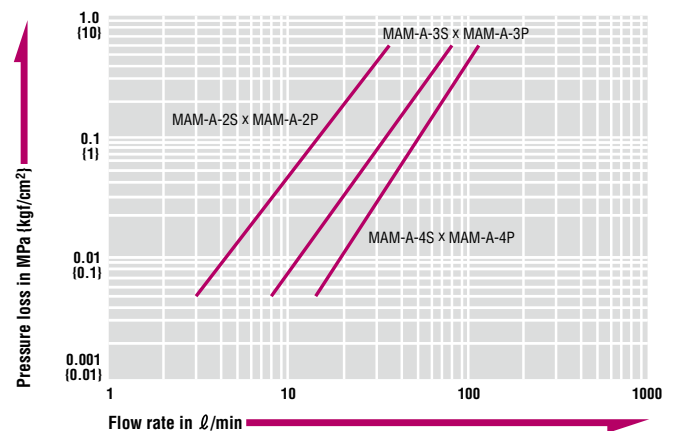
(mℓ)

Model	2SP	3SP	4SP
Volume of spillage	0.8	2.1	3.4

### Flow Rate - Pressure Loss Characteristics

Per port of Cupla

[Test conditions] • Fluid : Water • Temperature : 25°C ± 5°C



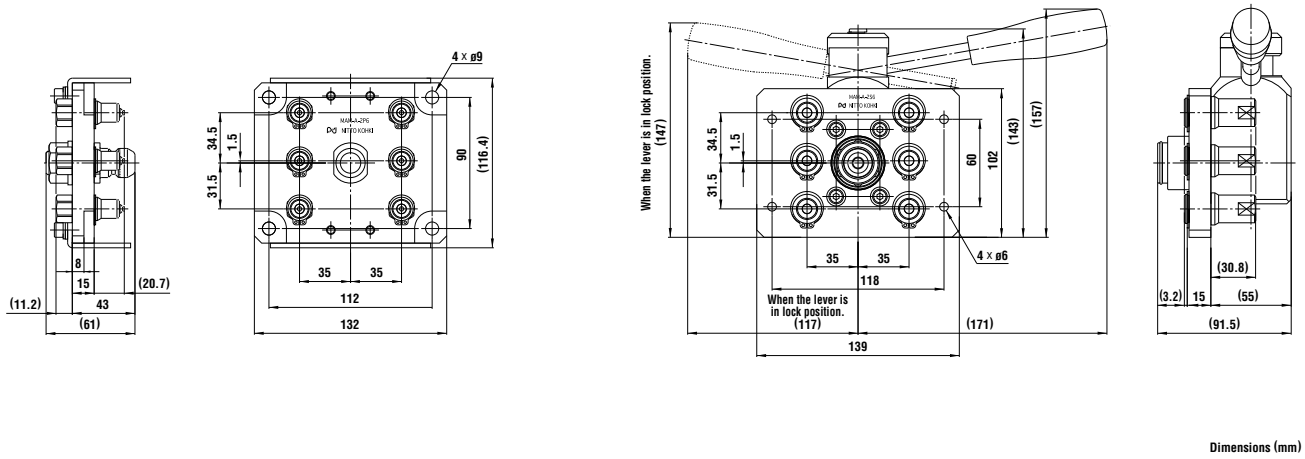
Models and Dimensions

Model MAM-A-2P6 × MAM-A-2S6 (6 ports type)

• Application: R1/4 Mass: 1100g (Plug), 2150g (Socket)

Plug: Model MAM-A-2P6

Socket: Model MAM-A-2S6



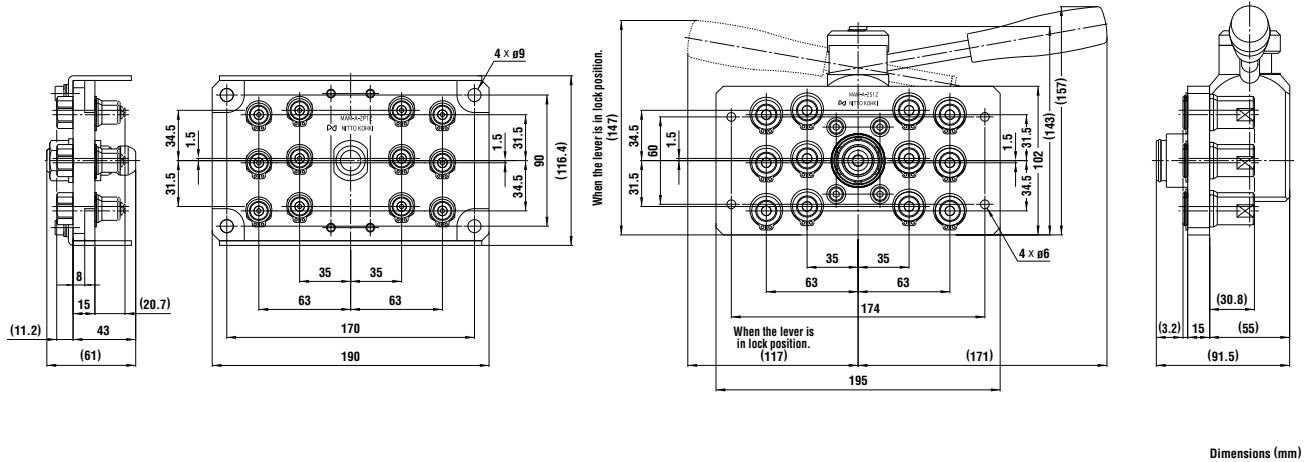
Dimensions (mm)

Model MAM-A-2P12 × MAM-A-2S12 (12 ports type)

• Application: R1/4 Mass: 1650g (Plug), 2800g (Socket)

Plug: Model MAM-A-2P12

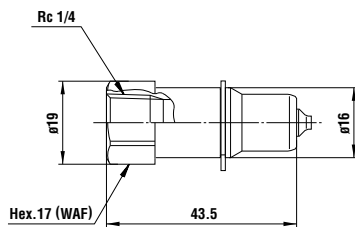
Socket: Model MAM-A-2S12



Dimensions (mm)

Plug Model MAM-A-2P (Individual Cupla)

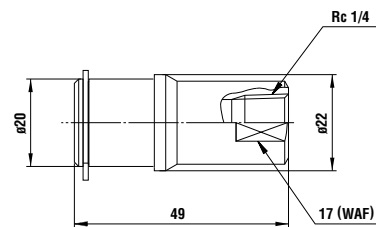
• Application: R1/4 Mass: 40g



Dimensions (mm)

Socket Model MAM-A-2S (Individual Cupla)

• Application: R1/4 Mass: 82g



Dimensions (mm)

Made-to-order Multi Cuplas are available on request, such as a combination of different sizes on the flange plate.

Before use, please be sure to read "Safety Guide" described at the end of this book and "Instruction Sheet" that comes with the products.



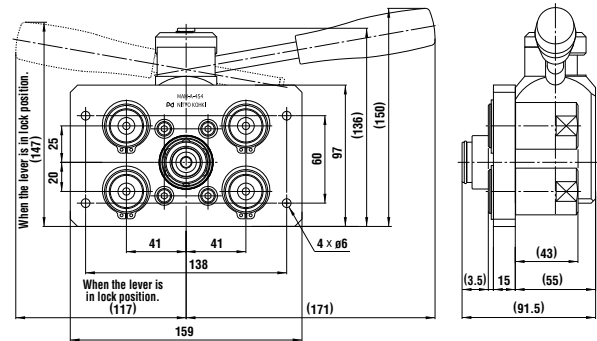
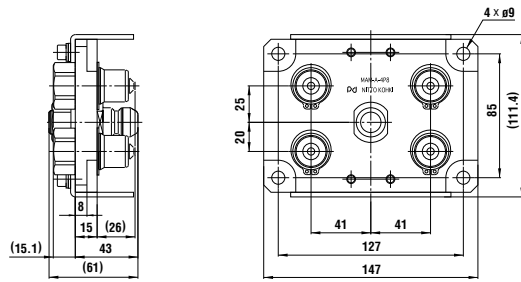
Models and Dimensions

Model MAM-A-4P4 × MAM-A-4S4 (4 ports type)

• Application: R1/2 Mass: 1400g (Plug), 2700g (Socket)

Plug: Model MAM-A-4P4

Socket: Model MAM-A-4S4



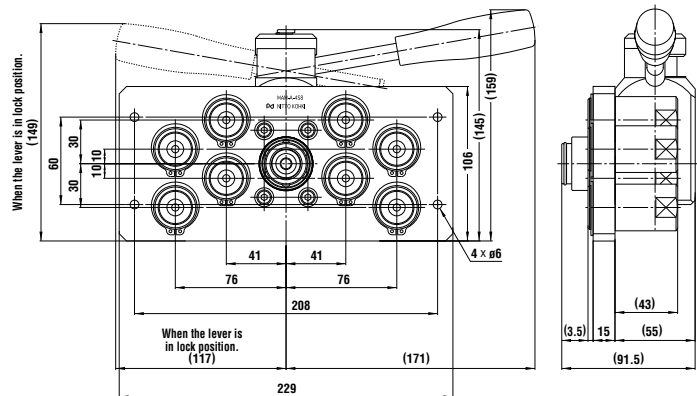
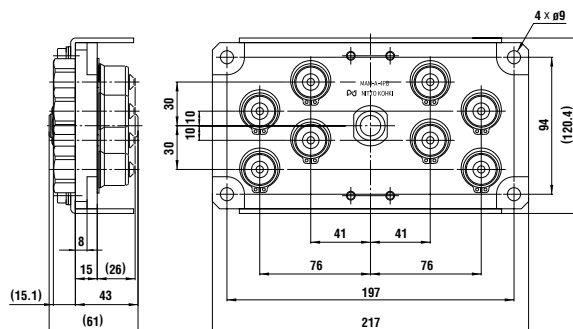
Dimensions (mm)

Model MAM-A-4P8 × MAM-A-4S8 (8 ports type)

• Application: R1/2 Mass: 2300g (Plug), 4000g (Socket)

Plug: Model MAM-A-4P8

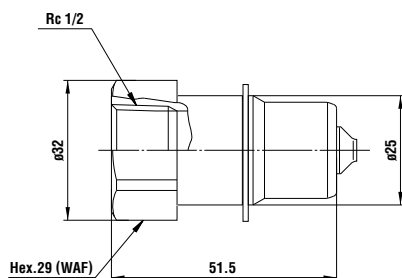
Socket: Model MAM-A-4S8



Dimensions (mm)

Plug Model MAM-A-4P (Individual Cupla)

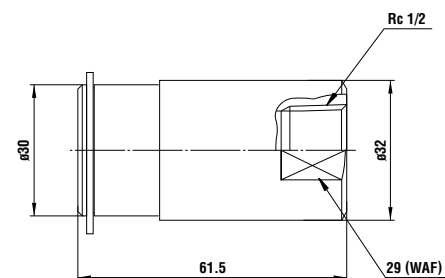
• Application: R1/2 Mass: 127g



Dimensions (mm)

Socket Model MAM-A-4S (Individual Cupla)

• Application: R1/2 Mass: 256g



Dimensions (mm)

Made-to-order Multi Cuplas are available on request, such as a combination of different sizes on the flange plate.

Before use, please be sure to read "Safety Guide" described at the end of this book and "Instruction Sheet" that comes with the products.