

For Low Pressure (Air)

# Line Cupla

200T Type, 200L Type, 200S Type

Simple design air line coupling on manifold

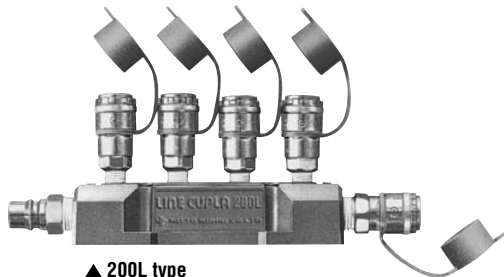
Working pressure <b>1.5</b> 1.5 MPa (15 kg/cm <sup>2</sup> )	Valve structure  One-way shut-off	Applicable fluid  Air
---	---	-----------------------------

**Enables several air lines to be taken simultaneously from one supply line!**

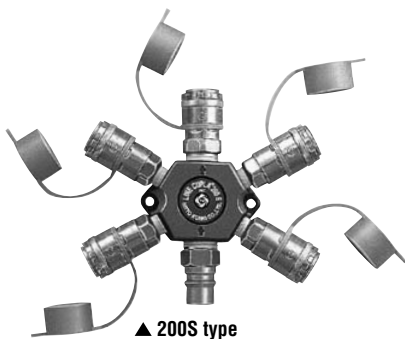
- Just push in the plug to socket for simple and secure connection!
- Multiple outlets are available from single air supply source.
- Choose from the 2-outlet type (Model 200T), the 5-outlet straight type (Model 200L) and the 5-outlet star type (Model 200S) to suit your application.



▲ 200T type



▲ 200L type  
(comes with extra 400SH)



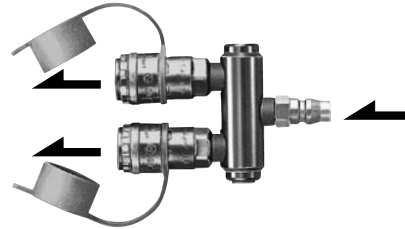
▲ 200S type  
(comes with extra 400SH)

## Specifications

Body material	Body : Aluminum, Cupla : Steel (Chrome-plated)		
Size	Inlet	200T Type : 20PM 200L Type / 200S Type : 400PM	
	Outlet	200T Type : 200-20SM 200L Type / 200S Type : 200-20SM · 40SM	
Working pressure MPa (kg/cm <sup>2</sup> )	1.5 (15)		
Pressure resistance MPa (kg/cm <sup>2</sup> )	2.0 (20)		
Seal material	Seal material	Mark	Working temperature range
Working temperature range	Nitrile rubber	NBR (SG)	-20°C~+60°C
			Remarks
			Standard material

## Flow Direction

Fluid must run from the inlet port to the outlet ports.



## Interchangeability

Can be connected with plugs for Hi Cupla Models 20, 30 and 40. Interchangeable with each corresponding Hi Cupla Series models.

## Min. Cross-Sectional Area (mm<sup>2</sup>)

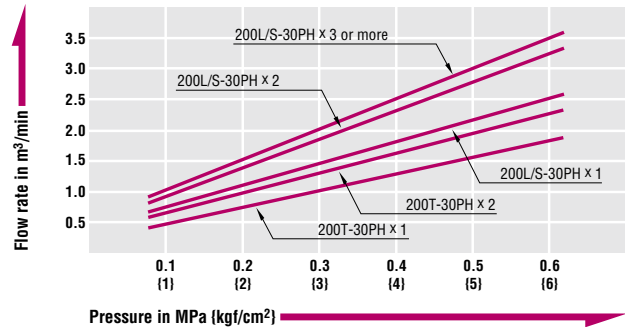
Model	200T type, 200L type, 200S type
Min. cross-sectional area	19

## Suitability for Vacuum

Not suitable for vacuum application in either connected or disconnected condition.

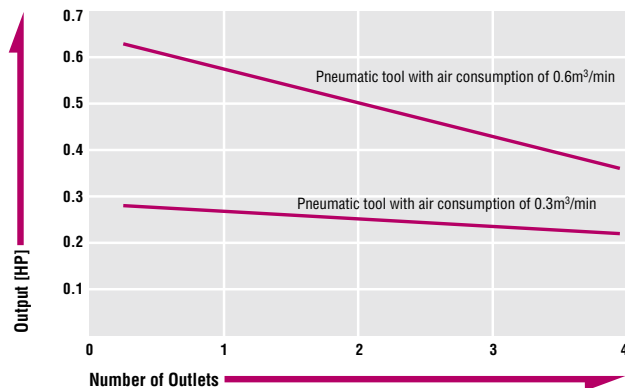
## Pressure - Flow Characteristics

[Test conditions] • Fluid : Air • Temperature : Room temperature



## Number of Outlets in Use – Power Output (HP) Diagram (200L/200S types)

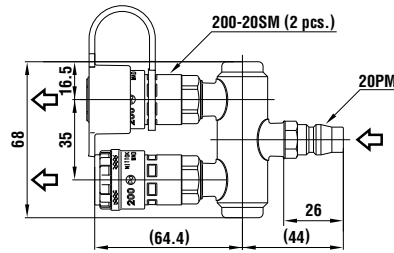
[Test conditions] • Fluid : Air • Temperature : Room temperature



**Socket 200T type (For two outlets)**

Mass : 272g

- Fluid must run in the direction of the arrow.
- The product comes with dust caps.

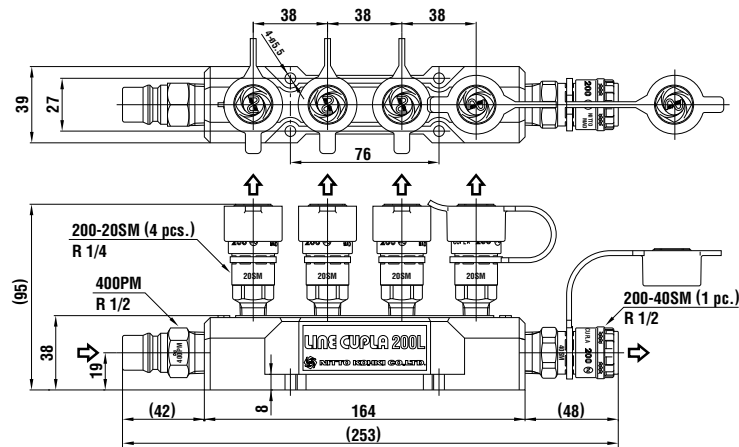


Dimensions (mm)

**Socket 200L type (For five outlets, in line type)**

Mass : 890g

- Fluid must run in the direction of the arrow.
- The product comes with dust caps.
- Accessory : 400SH

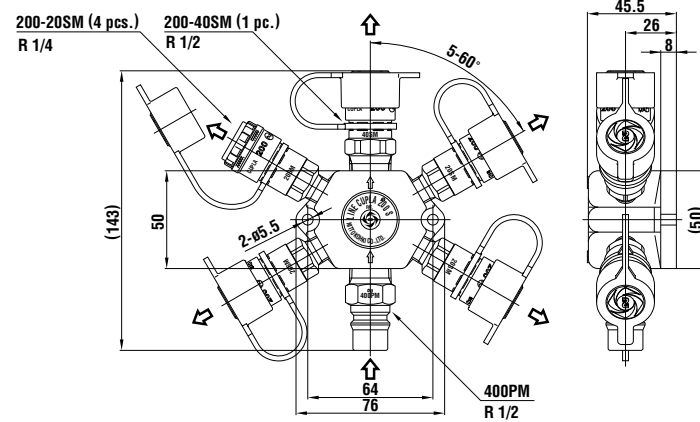


Dimensions (mm)

**Socket 200S type (For five outlets, star type)**

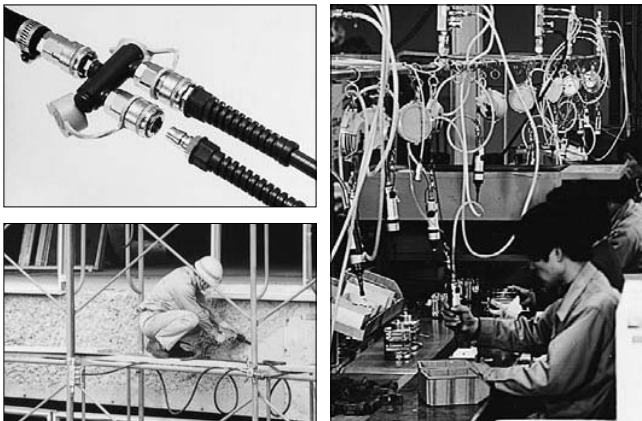
Mass : 769g

- Fluid must run in the direction of the arrow.
- The product comes with dust caps.
- Accessory : 400SH



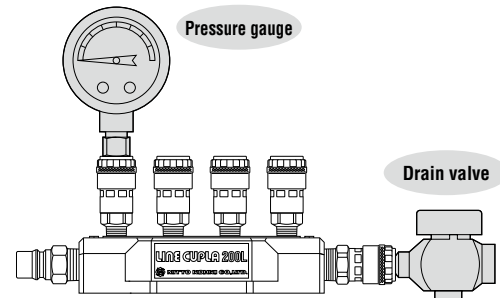
Dimensions (mm)

**Application Example**



**Optional Items : Pressure Gauge and Drain Valve**

"Pressure Gauge" and "Drain Cock" are available as optional items to be mounted on Line Cupla 200.



Actual appearance may differ due to incessant product improvements.