

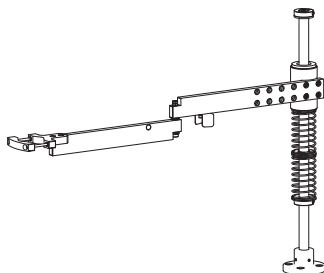
INSTRUCTION MANUAL

Parts List

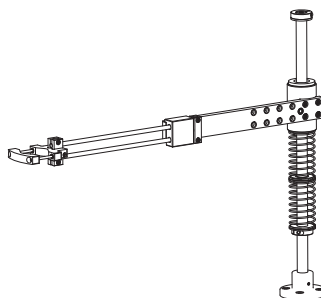
Professional tool TORQUE REACTION ARM

delvo

Model: DRA-SW-650/DRA-SL-650



DRA-SW-650



DRA-SL-650

EN

This document is for the special repair operator.
General users should never disassemble the product.
When repair of the tool or part replacement becomes necessary, contact the retailer where you purchased the tool.

FR

Le présent document est destiné aux techniciens de réparation spécialisés.
Les utilisateurs généraux ne doivent jamais démonter le produit.
Lorsqu'une réparation ou le remplacement de pièces est nécessaire, contactez le revendeur auprès duquel vous avez acheté l'outil.

DE

Dieses Dokument gilt für speziell ausgebildete Wartungstechniker.
Allgemeine Nutzer dürfen das Produkt niemals zerlegen.
Wenn das Werkzeug repariert oder ein Teil ausgetauscht werden muss, wenden Sie sich an den Händler, von dem Sie das Werkzeug erworben haben.

IT

Questo documento è destinato all'operatore addetto alle riparazioni speciali.
Gli utenti generici non devono mai tentare di smontare il prodotto.
Per la riparazione dell'utensile o qualora si renda necessaria la sostituzione di un pezzo, rivolgersi al rivenditore presso il quale è stato acquistato l'utensile.

ES

Este documento es para el operador de reparaciones especiales.
Los usuarios generales no deberán desmontar jamás el producto.
Para la reparación de la herramienta o si resulta necesaria la sustitución de piezas, póngase en contacto con el vendedor del que adquirió la herramienta.

PT

Este documento destina-se ao operador de reparações específico.
Os utilizadores gerais não devem nunca desmontar o produto.
Se for necessário substituir alguma peça ou reparar a ferramenta, entre em contacto com o revendedor onde adquiriu a ferramenta.

JP

本書は、専門修理業者向けの資料です。
一般ユーザーの方は、絶対に製品を分解しないでください。
工具の修理や部品の交換が必要な場合は、お買い求めの販売店にお問い合わせください。

● Please read manual carefully before you attempt to use your tool so that you may use it properly and safely.

• Due to continuous product development/improvement the specifications and configurations in this document are subject to change without prior notice.

Manufactured by.

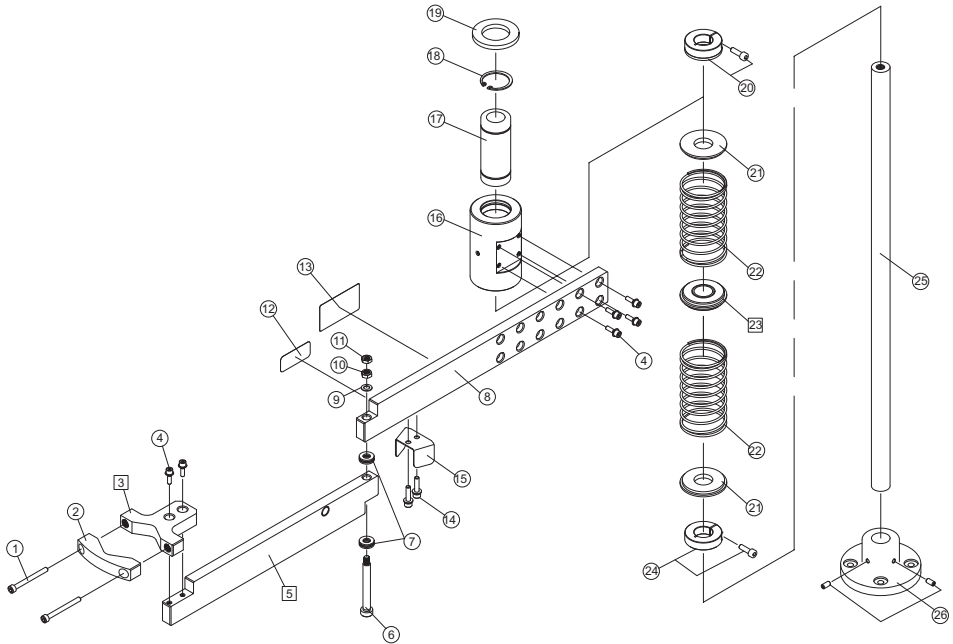
NITTO KOHKI CO., LTD.

9-4, Nakaikegami 2-chome, Ohta-ku, Tokyo, 146-8555, Japan
Tel : +81-3-3755-1111 Fax : +81-3-3753-8791

(Original Instructions)

TV08188-0 12/2019

EXPLODED VIEW (DRA-SW-650)

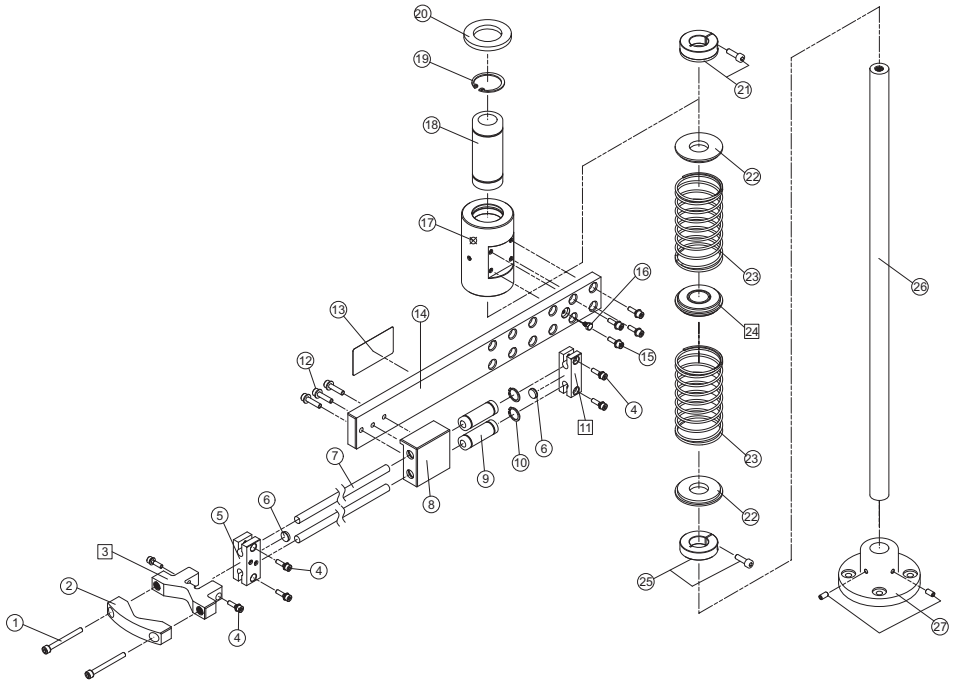


PARTS LIST (DRA-SW-650)

No.	Parts Name	Parts No.	Q'ty
1	Hex. Socket Head Bolt 5×50	TV08182	2
2	Tool Holder B	TV08165	1
3	Tool Holder A Assembly	TD09731	1
4	Hex. Socket Head Bolt 4×15	TV08181	6
5	Arm B Assembly	TD09741	1
6	Stripper Bolt	TV08169	1
7	Bearing	TV08172	2
8	Arm A	TV08160	1
9	Washer	TV08170	1
10	U-Nut	TV08171	1
11	Nut	TV08173	1
12	Warning Label	TV08064	1
13	Name Label	TV08144	1

No.	Parts Name	Parts No.	Q'ty
14	Hex. Socket Head Bolt 5×12	TV08183	2
15	Stopper	TV08162	1
16	Bushing Holder	TV08159	1
17	Linear Bushing	TV08178	1
18	Stop Ring	TQ13474	1
19	Rubber Washer	TV08179	1
20	Collar	TV08176	1
21	Spring Guide A	TV08166	2
22	Spring	TV08168	2
23	Spring Guide B Assembly	TD09743	1
24	Collar	TV08177	1
25	Shaft 20-550	TV08174	1
26	Shaft Holder	TV08175	1

EXPLODED VIEW (DRA-SL-650)



PARTS LIST (DRA-SL-650)

No.	Parts Name	Parts No.	Q'ty
1	Hex. Socket Head Bolt 5x50	TV08182	2
2	Tool Holder B	TV08165	1
3	Tool Holder A Assembly	TD09732	1
4	Hex. Socket Head Bolt 4x16	TV08198	6
5	Joint	TV08191	1
6	Rubber Foot	TV08196	2
7	Shaft 8-343	TV08194	2
8	Bushing Holder W	TV08190	1
9	Linear Bushing	TV08195	2
10	Stop Ring	TV05254	2
11	Shaft Clamp Assembly	TD09742	1
12	Hex. Socket Head Bolt 5x20	TV08197	3
13	Name Label	TV08145	1
14	Arm A	TV08189	1

No.	Parts Name	Parts No.	Q'ty
15	Hex. Socket Head Bolt 4x15	TV08181	4
16	Hex. Bolt 4x6	TV08199	1
17	Bushing Holder	TV08159	1
18	Linear Bushing	TV08178	1
19	Stop Ring	TQ13474	1
20	Rubber Washer	TV08179	1
21	Collar	TV08176	1
22	Spring Guide A	TV08166	2
23	Spring	TV08168	2
24	Spring Guide B Assembly	TD09743	1
25	Collar	TV08177	1
26	Shaft 20-550	TV08174	1
27	Shaft Holder	TV08175	1