

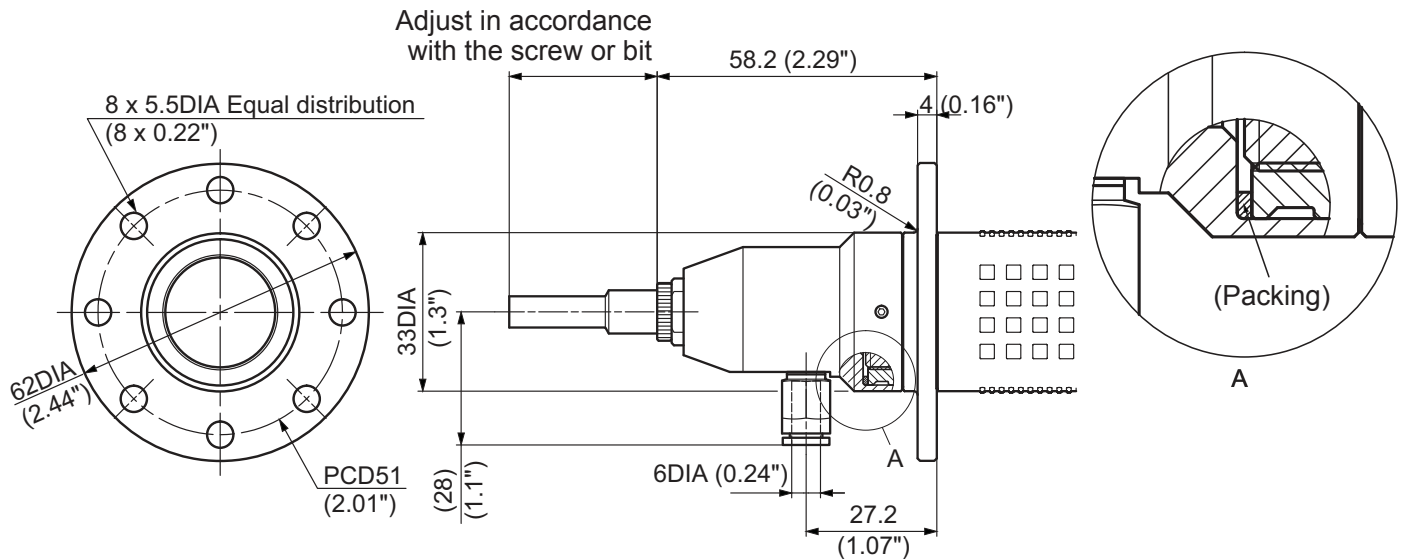
Vacuum Pickup for automatic machine DLP6650

This is an attachment for adsorption of screws (for 6.35 mm (0.25") hexagon bit) for an automatic screw fastening machine.

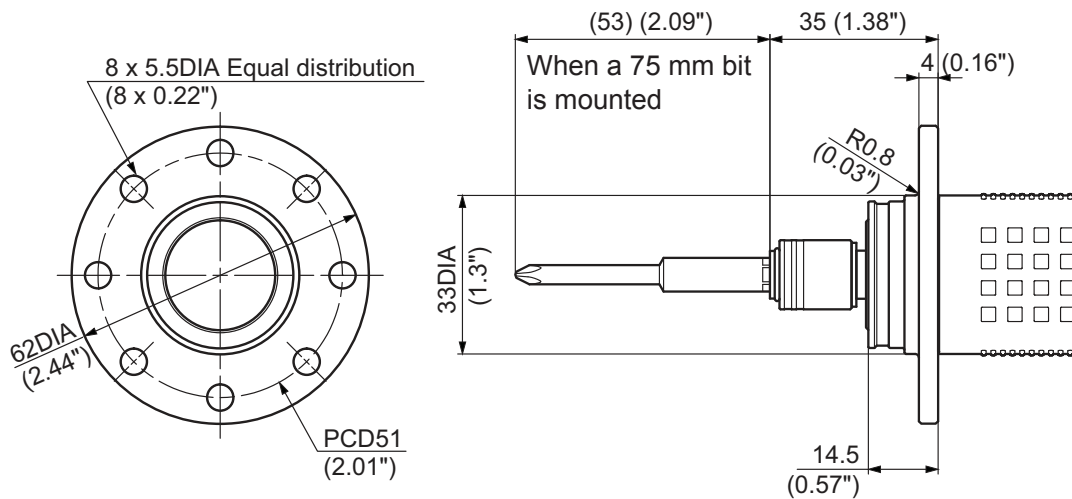
Flanged coupling DLW9015, sleeve DLS4225 and DLS4227 are attached.

(At shipment, the flanged coupling and sleeve DLS4225 are mounted.)

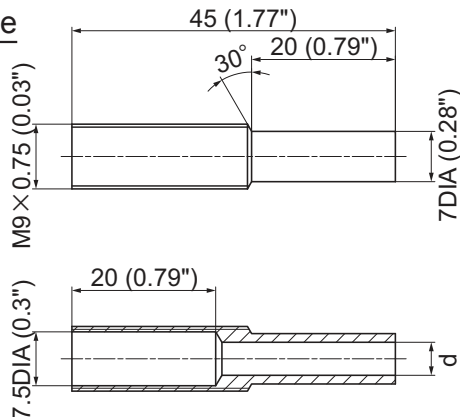
For details, read the instruction manual for the electric screwdriver.



When only flanged coupling is mounted



Sleeve



Unit: mm (in)

Sleeve	d
DLS4225	4.6 (0.18)
DLS4227	5.6 (0.22)