

For Multi-Port Connection (Manual)

Multi Cupla MAM-A Type

Multiple port system

Working pressure



Valve structure

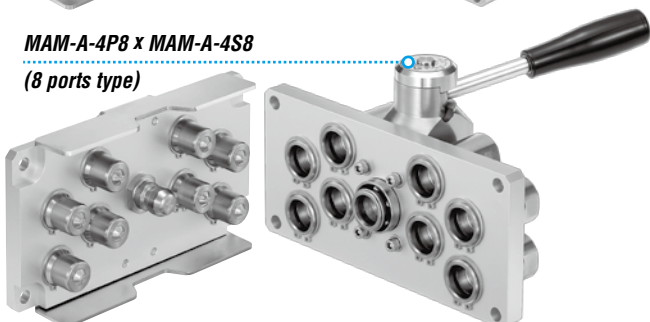
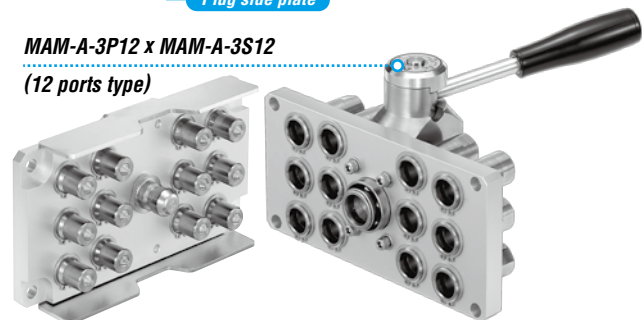
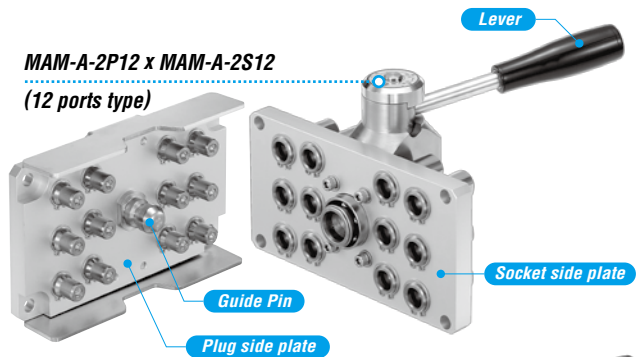


Applicable fluids



**Simultaneously connects several ports securely in one operation!
Greatly reduces changeover time in multiple ports replacement.**

- Handles several ports at once.
- Simple manual lever action completes easy connection / disconnection.
- Two-stage lever operation prevents Cupla from accidental dropping due to sudden detachment.
- Comes with lock mechanism to prevent accidental disconnection.
- Large flow equivalent to that of SP Cupla Type A.
- Two kinds of plates are available for each size.
- Automatic shut-off valves in both socket and plug prevent fluid spill out on disconnection.
- Self-aligned valve design provides safety sealing of individual socket or plug when disconnected.



Specifications

Model	Plug	MAM-A-2P6	MAM-A-2P12	MAM-A-3P6	MAM-A-3P12	MAM-A-4P4	MAM-A-4P8
	Socket	MAM-A-2S6	MAM-A-2S12	MAM-A-3S6	MAM-A-3S12	MAM-A-4S4	MAM-A-4S8
Number of ports		6	12	6	12	4	8
Size (Thread)		1/4"		3/8"		1/2"	
Body material		Cupla: Brass (Nickel plated)				Plate: Aluminum alloy	
		Locking unit: Steel (Nickel plated)					
Pressure unit		MPa	kgf/cm ²	bar	PSI		
Working pressure		1.0	10	10	145		
Ambient temperature range		0°C to +60°C					
Seal material	Sealing material	Mark	Working temperature range	Remarks			
Working temperature range	Fluoro rubber	FKM (X-100)	-20°C to +180°C	Standard material			

Max. Tightening Torque

Nm (kgf·cm)

Size (Thread)	1/4"	3/8"	1/2"
Torque	9 {92}	12 {122}	30 {306}

Interchangeability

No connection is possible between plates with different number of ports.

Min. Cross-Sectional Area per Port

(mm²)

Model	2SP type	3SP type	4SP type
Min. cross-sectional area	26	51	73

Suitability for Vacuum

1.3×10^{-1} Pa (1×10^{-3} mmHg)

Socket only	Plug only	When connected
—	—	Operational

Admixture of Air on Connection per Port

May vary depending upon the usage conditions.

(mL)

Model	2SP type	3SP type	4SP type
Volume of air	1.1	2.7	3.9

Volume of Spillage on Disconnection per Port

May vary depending upon the usage conditions.

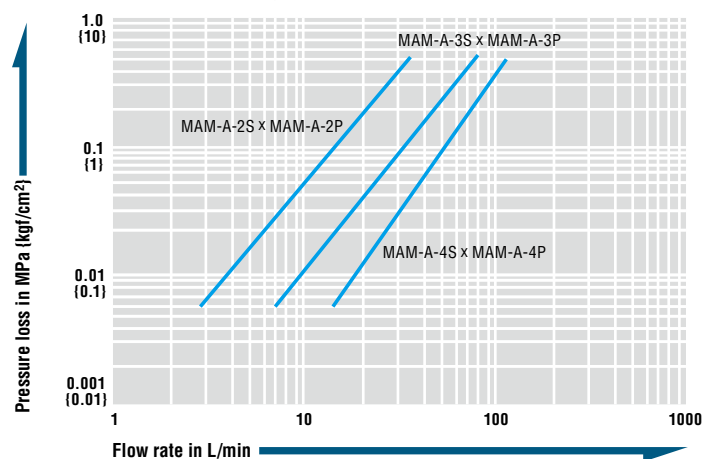
(mL)

Model	2SP type	3SP type	4SP type
Volume of spillage	0.8	2.1	3.4

Flow Rate - Pressure Loss Characteristics

Per port of Cupla

[Test conditions] • Fluid : Water • Temperature : 25°C ± 5°C



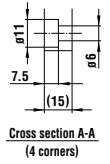
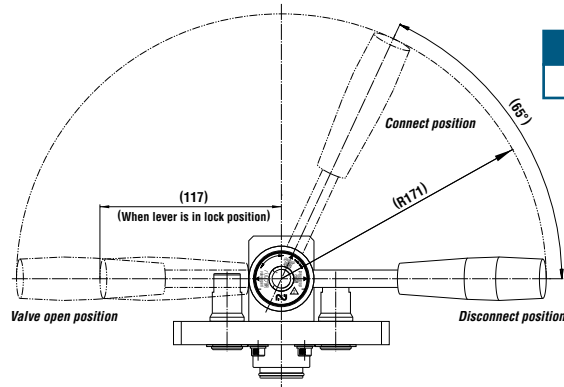
Models and Dimensions

Model MAM-A-2P6 × MAM-A-2S6 (6 ports type)

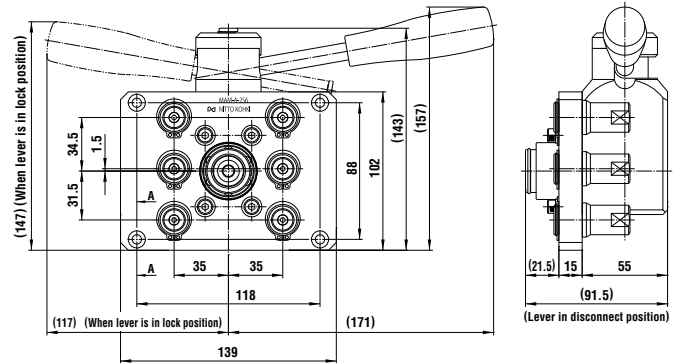
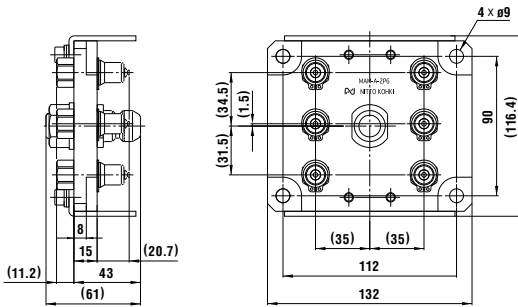
• Application: R 1/4 Mass: 1100 g (Plug), 2150 g (Socket)

Dimensions (mm)

Socket: Model
MAM-A-2S6



Plug: Model
MAM-A-2P6

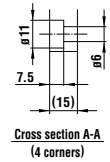
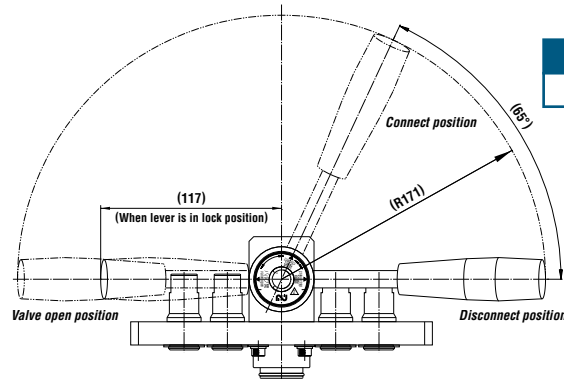


Model MAM-A-2P12 × MAM-A-2S12 (12 ports type)

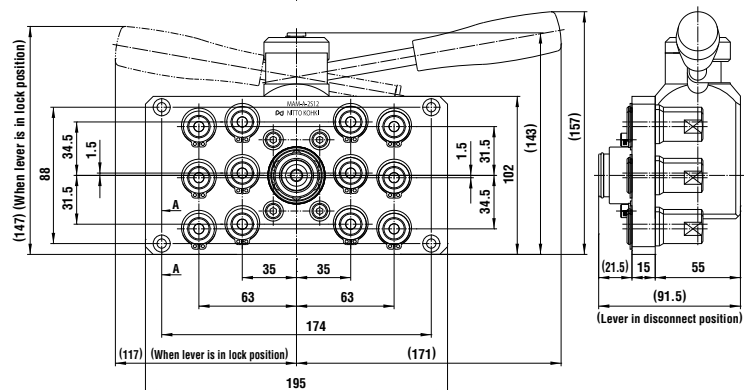
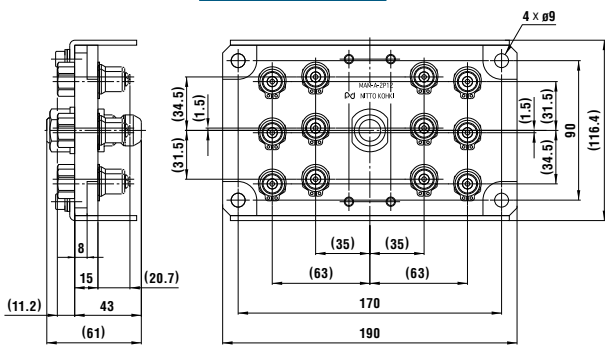
• Application: R 1/4 Mass: 1650 g (Plug), 2800 g (Socket)

Dimensions (mm)

Socket: Model
MAM-A-2S12

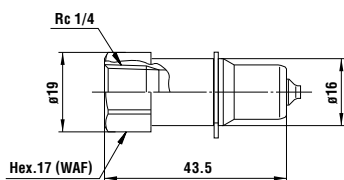


Plug: Model
MAM-A-2P12



Plug Model MAM-A-2P (Individual Cupla)

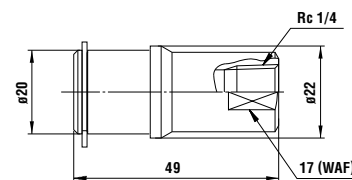
• Application: R 1/4 Mass: 40 g



Dimensions (mm)

Socket Model MAM-A-2S (Individual Cupla)

• Application: R 1/4 Mass: 82 g



Dimensions (mm)

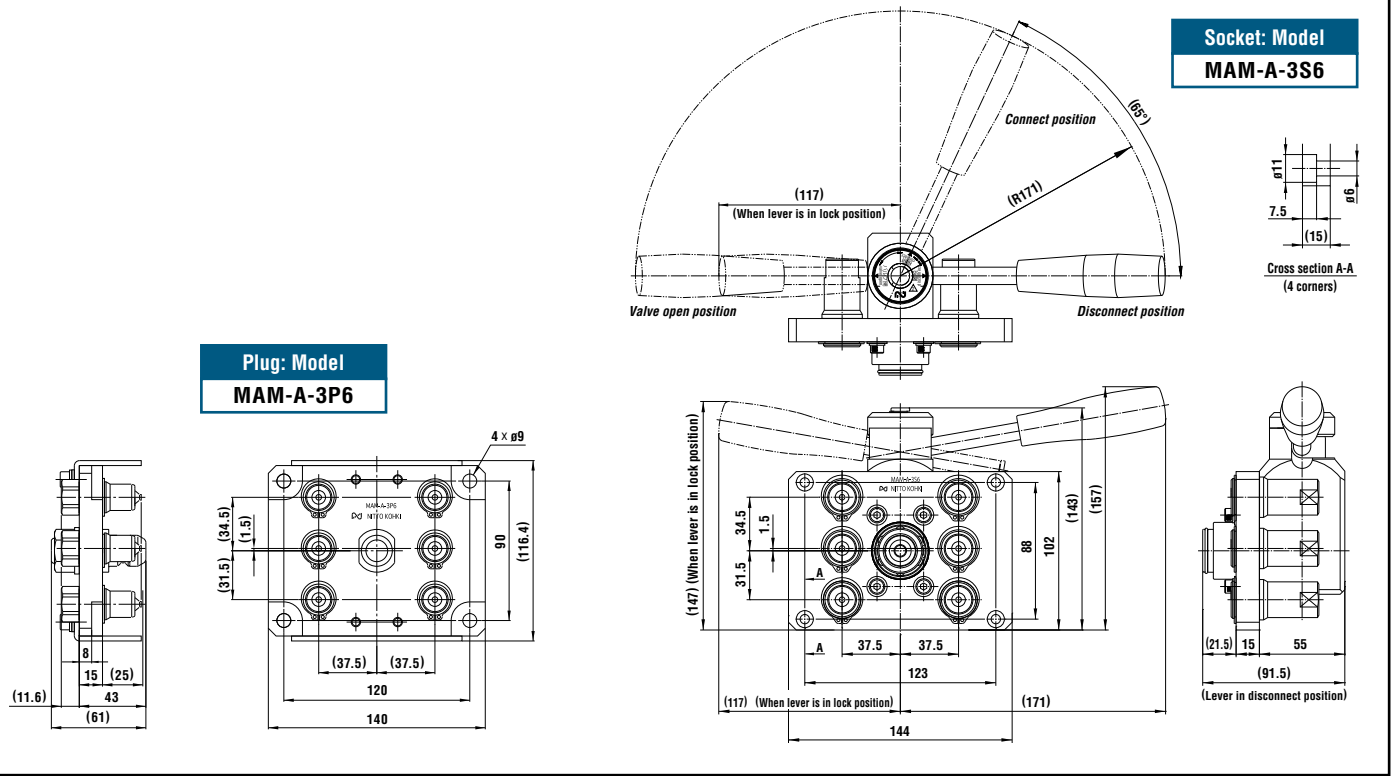
Made-to-order Multi Cuplas are available on request, such as a combination of different sizes on the flange plate.

Before use, please be sure to read "Safety Guide" described at the end of this book and "Instruction Sheet" that comes with the products.

Model MAM-A-3P6 × MAM-A-3S6 (6 ports type)

• Application: R 3/8 Mass: 1250 g (Plug), 2400 g (Socket)

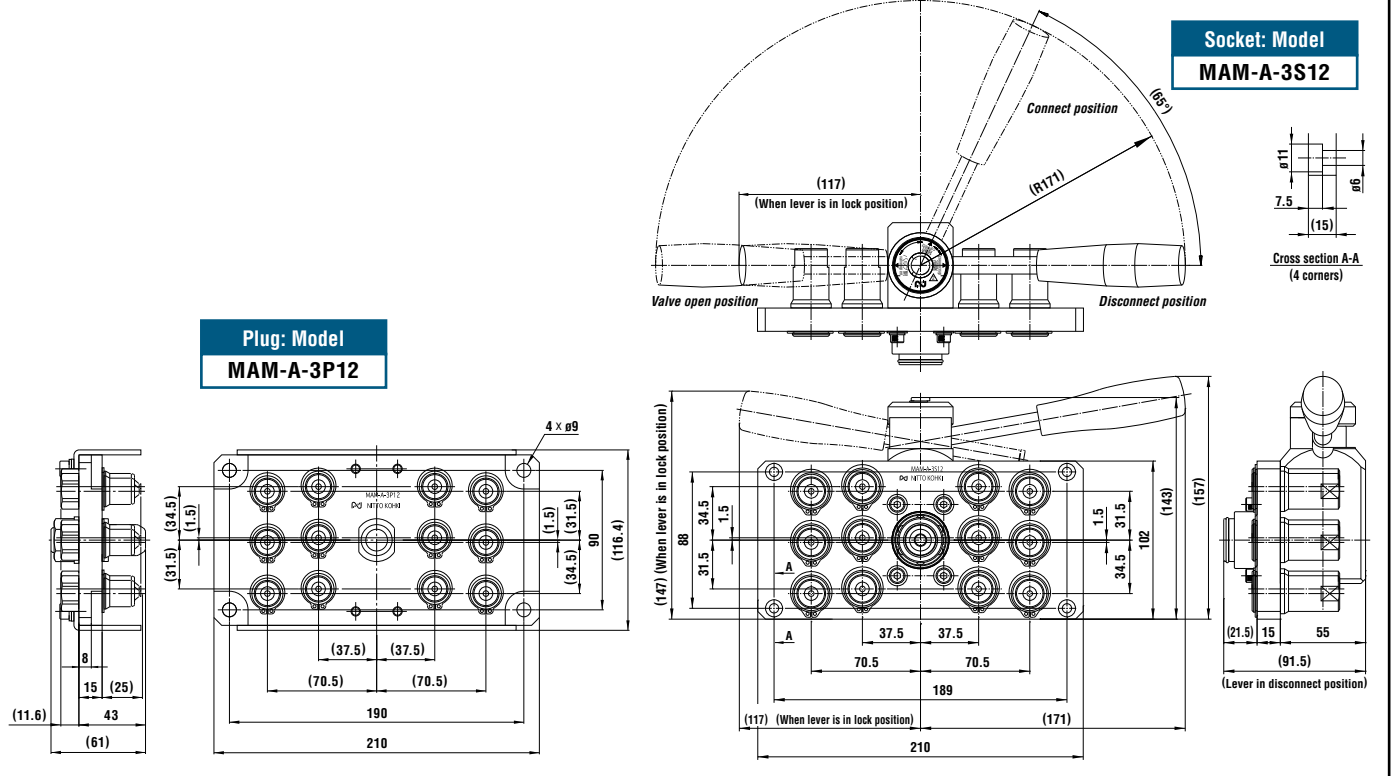
Dimensions (mm)



Model MAM-A-3P12 × MAM-A-3S12 (12 ports type)

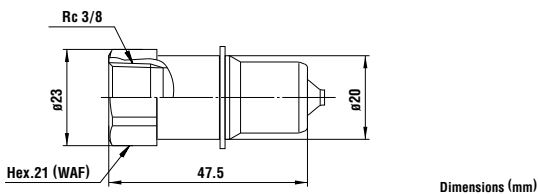
• Application: R 3/8 Mass: 1950 g (Plug), 3300 g (Socket)

Dimensions (mm)



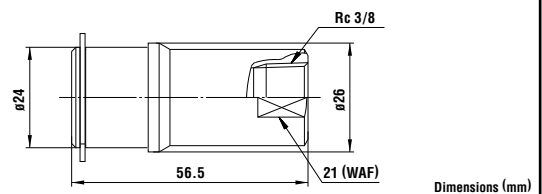
Plug Model MAM-A-3P (Individual Cupla)

• Application: R 3/8 Mass: 62 g



Socket Model MAM-A-3S (Individual Cupla)

• Application: R 3/8 Mass: 122 g



Made-to-order Multi Cuplas are available on request, such as a combination of different sizes on the flange plate.

Before use, please be sure to read "Safety Guide" described at the end of this book and "Instruction Sheet" that comes with the products.

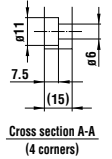
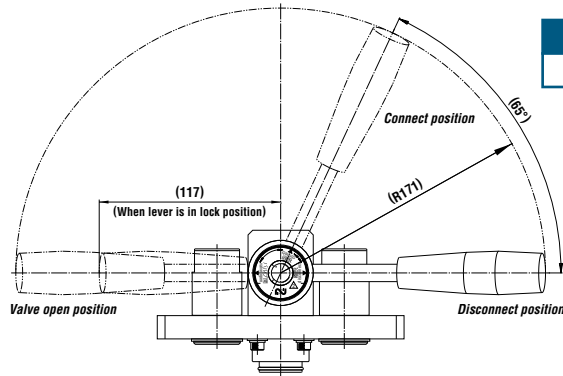
Models and Dimensions

Model MAM-A-4P4 × MAM-A-4S4 (4 ports type)

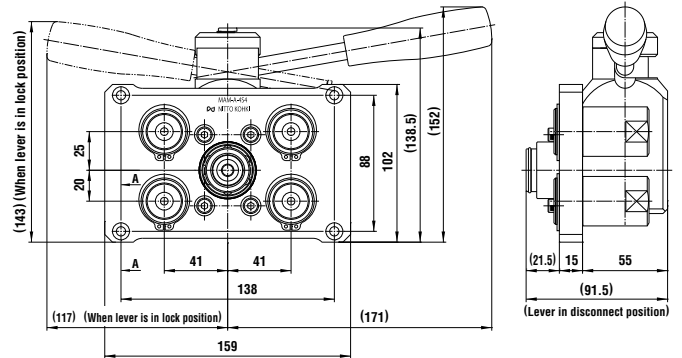
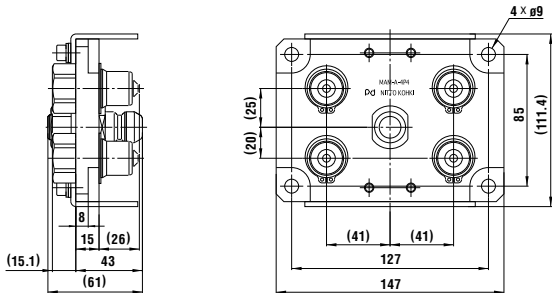
• Application: R 1/2 Mass: 1400 g (Plug), 2700 g (Socket)

Dimensions (mm)

Socket: Model
MAM-A-4S4



Plug: Model
MAM-A-4P4

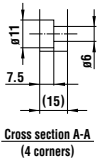
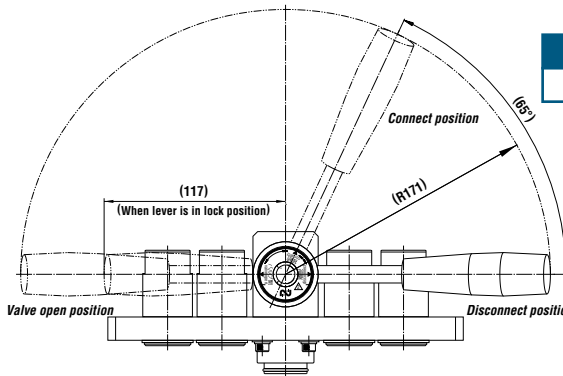


Model MAM-A-4P8 × MAM-A-4S8 (8 ports type)

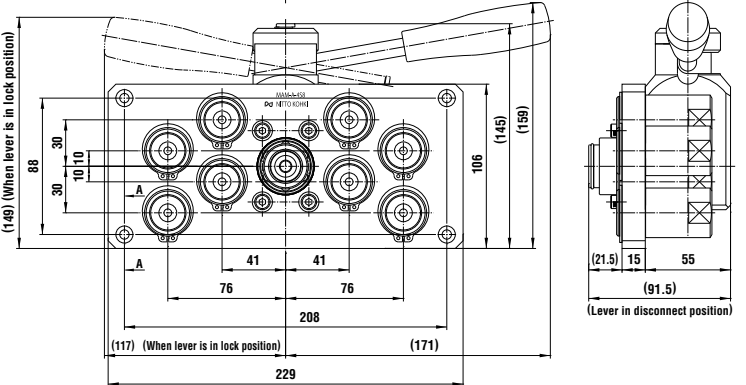
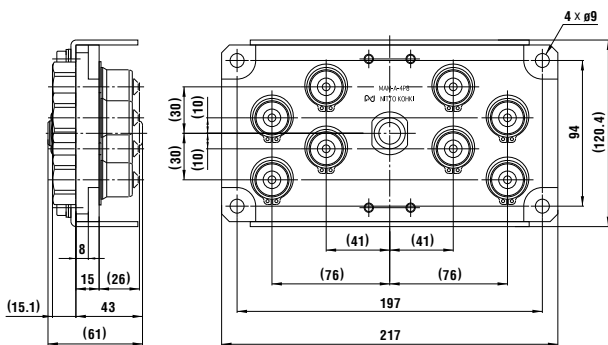
• Application: R 1/2 Mass: 2300 g (Plug), 4000 g (Socket)

Dimensions (mm)

Socket: Model
MAM-A-4S8

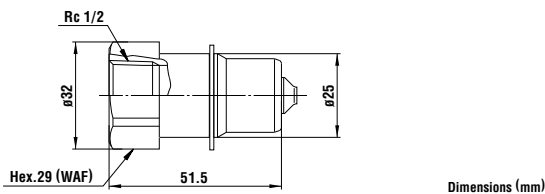


Plug: Model
MAM-A-4P8



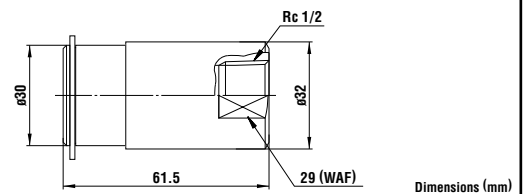
Plug Model MAM-A-4P (Individual Cupla)

• Application: R 1/2 Mass: 127 g



Socket Model MAM-A-4S (Individual Cupla)

• Application: R 1/2 Mass: 256 g



Made-to-order Multi Cuplas are available on request, such as a combination of different sizes on the flange plate.

Before use, please be sure to read "Safety Guide" described at the end of this book and "Instruction Sheet" that comes with the products.